

QUICK REFERENCE DATA

*SH1BF4M SERIES RESIDENTIAL SPLIT SYSTEM HEAT PUMP

16 SEER

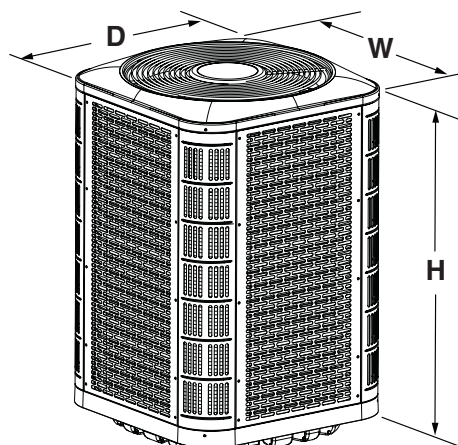
MODEL NUMBER: *SH1BF4M		1SP24K	1SP30K	1SP36K	1SP42K	1SP48K	2SX60K	
ELECTRICAL DATA	Volts-Cycles-Phase (1)	208/230-60-1						
	Total Amps	14.4	13.7	16.7	20.5	20.6	31.4	
	Delay Fuse Max. (2)	30	25	30	40	40	60	
	Min. Circuit Ampacity	17.7	16.9	20.2	25.0	25.1	38.6	
CONDENSER DATA	Coil	Area	20.0	20.0	25.0	25.0	25.0	25.0
		Rows-FPI	1 - 14	1 - 14	1 - 14	1 - 16	1 - 16	1 - 16
		Tube Dia	MC					
	Fan Motor	Type	PSC		BLDC			
		Amps	0.9	0.9	2.6	2.6	2.6	2.6
		HP	0.13	0.13	0.33	0.33	0.33	0.33
	Compressor Data	RLA	13.4	12.8	14.1	17.9	18.0	28.8
LRA		58.3	64.0	77.0	112.0	117.0	152.9	
RECOMMENDED REFRIGERANT SUCTION LINE O.D.* NOTE: Liquid line is 3/8" O.D. for entire length.		0-24 ft.	3/4"	3/4"	7/8"	7/8"	7/8"	7/8"
		25-39 ft.	3/4"	3/4"	7/8"	7/8"	7/8"	1-1/8" (3)
		40-75 ft.	3/4"	3/4"	7/8"	7/8"	7/8"	1-1/8" (3)
REFRIGERANT CHARGE: (R-410A) in ounces for outdoor unit, indoor unit and 15' line set. (5)		100	98	98	126	123	127	
APPROXIMATE WEIGHT (LBS.)		Net	201	201	212	232	234	236
		Ship	212	212	225	245	247	249

- (1) Operating Voltage Range: 187v min. — 253v max.
- (2) HACR Type Circuit Breakers may be used.
- (3) Requires 1 1/8" to 7/8" reducer from line to unit.
- (4) Additional charge for line sets above 15 feet. Values based on suction line as follows with 3/8" liquid line.
 - (a) 3/4" = 0.6 oz. per additional foot.
 - (b) 7/8" = 0.7 oz. per additional foot.
 - (c) 1 1/8" = 0.8 oz. per additional foot.

Table 1. Electrical Specifications & Physical Data

WIRE GAUGE	RECOMMENDED MAXIMUM WIRE LENGTH (FT) FROM UNIT TO THERMOSTAT
22	45
20	70
18	115
16	180

Table 2. Control Wiring (24V)



MODEL NUMBER	HEIGHT (H)	WIDTH (W)	DEPTH (D)
*SH1BF4M1SP24K	37 1/4	31 3/4	31 3/4
*SH1BF4M1SP30K	37 1/4	31 3/4	31 3/4
*SH1BF4M1SP36K	45 1/4	31 3/4	31 3/4
*SH1BF4M1SP42K	45 1/4	31 3/4	31 3/4
*SH1BF4M1SP48K	45 1/4	31 3/4	31 3/4
*SH1BF4M2SP60K	45 1/4	31 3/4	31 3/4

Table 3. Unit Dimensions

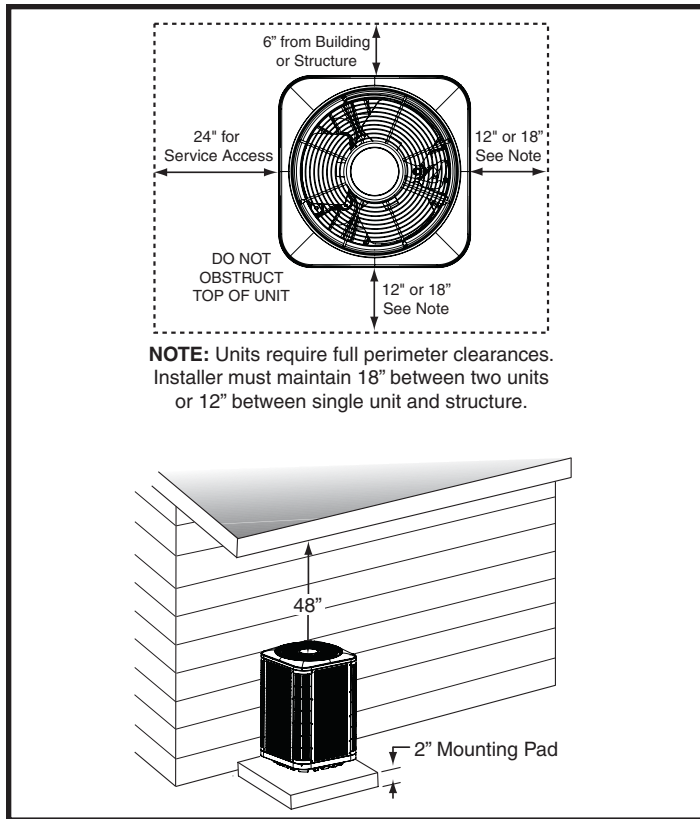


Figure 1. Clearance Requirements

Instructions:

1. Find the column for the model of outdoor unit that is being installed.
2. Find the row for the model of the indoor unit that is being installed.
3. Find the cell in the table in which this row and column meet. In this cell the appropriate orifice / TXV and charge addition for this match are listed. If the text in this cell is **BOLD**, then a change of orifice is necessary.
4. If a change in restrictor is necessary, then the appropriate restrictor will already be supplied with the outdoor unit.

Examples:

- For the *SH1BF4M1SP24K / B6VMMX24K-B match the correct TXV is 669564 and no additional charge is necessary (NO CHANGES REQUIRED).
- For the *SH1BF4M1SP42K / B6VMMX48K-C match the correct TXV is 669568 and no additional charge is necessary (NO CHANGES REQUIRED).

MODEL NUMBER: *SH1BF4M		1SP24K	1SP30K	1SP36K	1SP42K	1SP48K	2SX60K
OD RESTRICTOR INSTALLED IN OD UNIT:		0.048	0.048	0.051	0.059	0.063	TXV
OUTDOOR UNIT BOM CHARGE (OZ.)		100	98	98	126	123	127
MODELS	SUPPLIED WITH ID	REQUIRED RESTRICTOR OR TXV (CHARGE ADDITION (OZ) / RATED AIRFLOW -SCFM)					
B6VMMX							
B6VMMX24K-A	669564	669564 (0 / 900)	--	--	--	--	--
B6VMMX24K-B	669564	669564 (0 / 900)	--	--	--	--	--
B6VMMX30K-A	669565	--	669565 (0 / 1090)	--	--	--	--
B6VMMX30K-B	669565	--	669565 (0 / 1090)	--	--	--	--
B6VMMX36K-B	669566	--	--	669566 (0 / 1245)	--	--	--
B6VMMX48K-C	669568	--	--	--	669568 (0 / 1320)	669568 (0 / 1435)	--
B6VMMX60K-C	669578	--	--	--	--	--	669578 (2 / 1835)
C7-X							
C7B(A,H)MX60(C,U)-C	669686	--	--	--	--	--	669686 (0 / 1760)
C7B(A,H)MX60(C,U)-D	669686	--	--	--	--	--	669686 (0 / 1760)

NOTES:

- The charges listed are only valid for the standard 15' lineset.
- Part numbers beginning with 669***are TXV part numbers and numbers listed as 0.*** are restrictor diameters.

Table 4. REQUIRED RESTRICTOR OR TXV (CHARGE ADDITION (OZ) / RATED AIRFLOW -SCFM)

THE CHARGE ADDITIONS PROVIDED IN THIS DOCUMENT ARE ESTIMATES BASED ON TEST DATA AND SHOULD ONLY BE A STARTING POINT. AFTER FOLLOWING THESE DIRECTIONS PLEASE ADJUST THE REFRIGERANT AMOUNT BASED ON THE APPROPRIATE CHARGING TABLES OR CHARTS IN THE INSTALLATION INSTRUCTIONS OR CHARGING LABEL.

