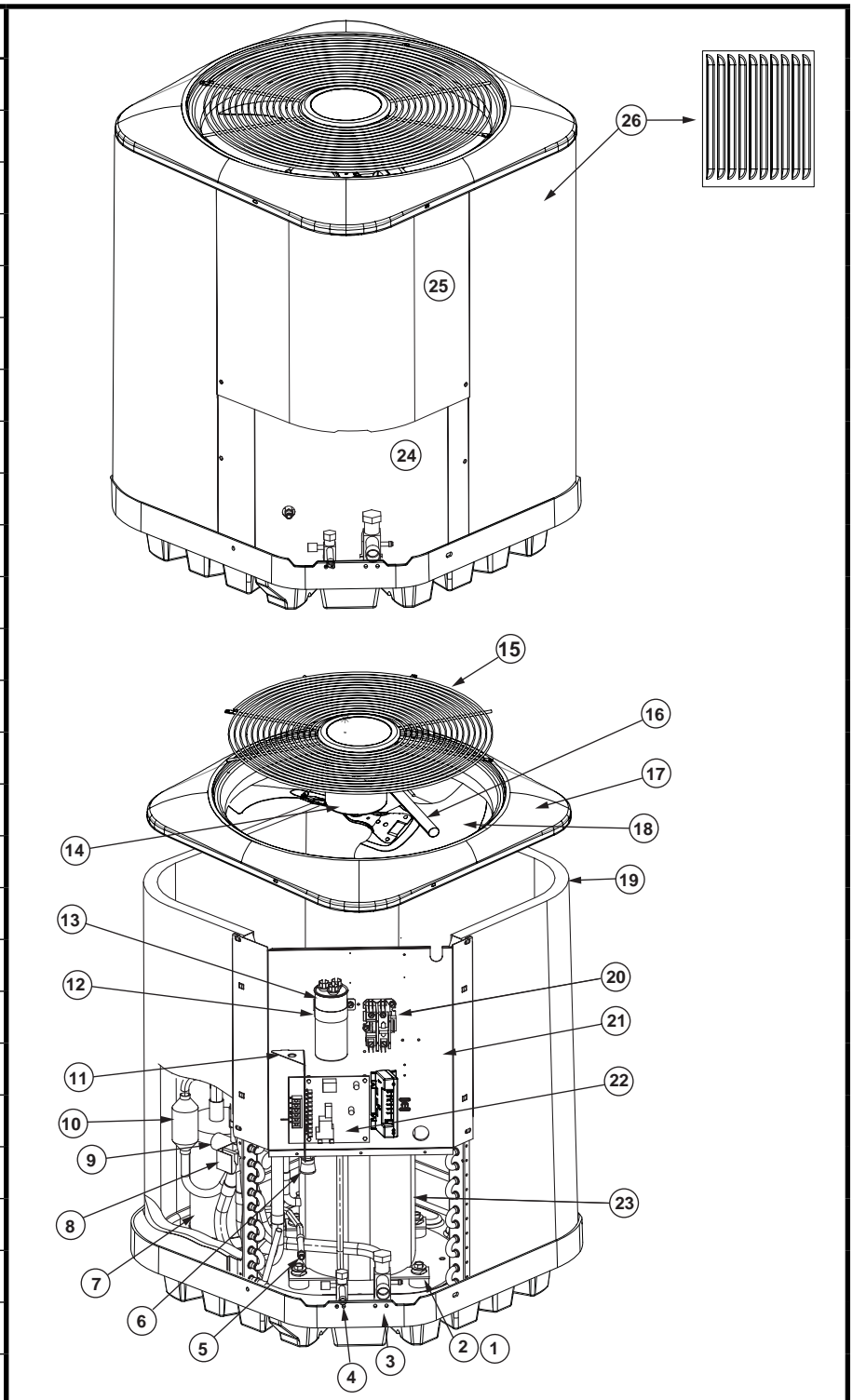


REPLACEMENT PARTS LIST

Residential Split System Heat Pump PSH4BD Series 13 SEER Models

ITEM #	COMPONENT
1	Compressor Bolt
2	Compressor Grommet
3	Refrigerant Valve (LG)
4	Refrigerant Valve (SM)
5	Shrader Valve
6	Swivel Connector
7	Accumulator
8	Reversing Valve Coil
9	Reversing Valve
10	Muffler
11	Low Voltage Divider
12	Capacitor Strap
13	Capacitor
14	Outdoor Fan Motor
15	Outdoor Fan Grille
16	Motor Wire Conduit
17	Top Pan </td
18	Outdoor Fan Blade
19	Outdoor Coil
20	Contacter
21	Control Box
22	Defrost Board
23	Compressor
24	Access Panel
25	Control Box Cover
26	Outdoor Coil Guard



PSH4BD Series Residential Split System Heat Pump

COMPONENT	PSH4BD018K	PSH4BD024K	PSH4BD030K	PSH4BD036K	PSH4BD042K	PSH4BD048K	PSH4BD060K
	918541P	918542P	918543P	918544P	918545P	918546P	918547P
Access Panel	274013BR	274014BR	274015BR	274016BR	274015BR	274016BR	274016BR
Accumulator	668853	668853	668853	668794	668854	668854	668854
Capacitor	01-0082	01-0083	01-0084	01-0085	01-0271	01-0278	01-0279
Compensator Tank	—	—	—	—	669422	669422	669422
Compressor	921421	921422	921425	921427	921463	921466	921468
Compressor Blanket	689791R	689791R	689791R	689791R	689792R	689792R	689792R
Compressor Bolt	600426	600426	600426	600426	600426	600426	600426
Compressor Grommet	668530	668530	668530	668530	668530	668530	668530
Compressor Molded Plug	634660R	634660R	634660R	634660R	634660R	634660R	634660R
Contactora	624712	624712	624712	624712	624712	624713	624714
Control Box	2B7881	2B7881	2B7881	2B7881	2B7881	2B7881	2B7881
Control Box Cover	276921B	276921B	276921B	276921B	276921B	276921B	276921B
Crankcase Heater	632410	632410	632410	632410	632410	632410	632410
Defrost Board	917178A	917178A	917178A	917178A	917178A	917178A	917178A
Defrost Sensor	626491R	626491R	626491R	626491R	626491R	626491R	626491R
Distributor	664717R	664717R	664717R	664718R	664719R	664719R	664719R
Filter Drier	669762	669762	669762	669762	669761	669761	669761
High Pressure Switch	632473R	632473R	632473R	632473R	632473R	632473R	632473R
Low Pressure Switch	632393R	632393R	632393R	632393R	632393R	632393R	632393R
Low Voltage Divider	258791	258791	258791	258791	258791	258791	258791
Motor Wire Conduit	664290	664290	664290	664290	664290	664290	664290
Muffler	669546R	669546R	669546R	669546R	669546R	669546R	669546R
Outdoor Coil	2C3321RD	2C3291RD	2C3301RD	2C3331RD	2C3311RD	2C3341RD	2C3341RD
Outdoor Coil Guard	277533SR	277534SR	277535SR	277536SR	277535SR	277536SR	277536SR
Outdoor Fan Blade	667351R	667351R	667351R	667351R	667319R	667319R	667319R
Outdoor Fan Grille	669591R	669591R	669591R	669591R	669591R	669591R	669591R
Outdoor Fan Motor	622080	622080	622080	622080	622066	622066	622066
Refrigerant Valve (LG)	663864R	663864R	663864R	663865R	663865R	663865R	663865R
Refrigerant Valve (SM)	664509R	664509R	664509R	664509R	664509R	664509R	664509R
Reversing Valve	669465R	669465R	669465R	M0079102	M0079102	M0079102	M0079102
Reversing Valve Coil	669470R	669470R	669470R	669937R	669937R	669937R	669937R
Schrader Fitting	664423	664423	664423	664423	664423	664423	664423

Please specify Model No., Serial No., and the correct part number(s) when ordering parts from the nearest authorized dealer or service center.

To replace a restrictor for the outdoor or indoor unit, refer to the Quick Reference Data document that came with the unit to determine the size of the restrictor. The part number scheme for restrictors is "664" and three decimal places of the size of the restrictor. For example, a 0.042" restrictor part number would be 664042.



Specifications & illustrations subject to change without notice or incurring obligations.
O' Fallon MO | Printed in U.S.A (10/12)



708407D (Replaces 708407C)