

# REPLACEMENT PARTS LIST

## MGC2Series Single Stage Condensing & Non-Condensing Furnaces

### NON-CONDENSING GAS FURNACES - 80+ AFUE



**MGC2SA Upflow / Horizontal  
Furnace**

**MGC2SK Downflow  
Furnace**

### CONDENSING GAS FURNACES - 92.1% AFUE



**MGC2SC Upflow / Horizontal  
Furnace**

**MGC2SL Downflow  
Furnace**

<b>MGC2SA / MGC2SK 80+ AFUE</b>	Upflow / Horizontal Replacement Parts List.....	Page 2
	Upflow / Horizontal Component Location.....	Page 3
	Downflow Replacement Parts List.....	Page 4
	Downflow Component Location.....	Page 5

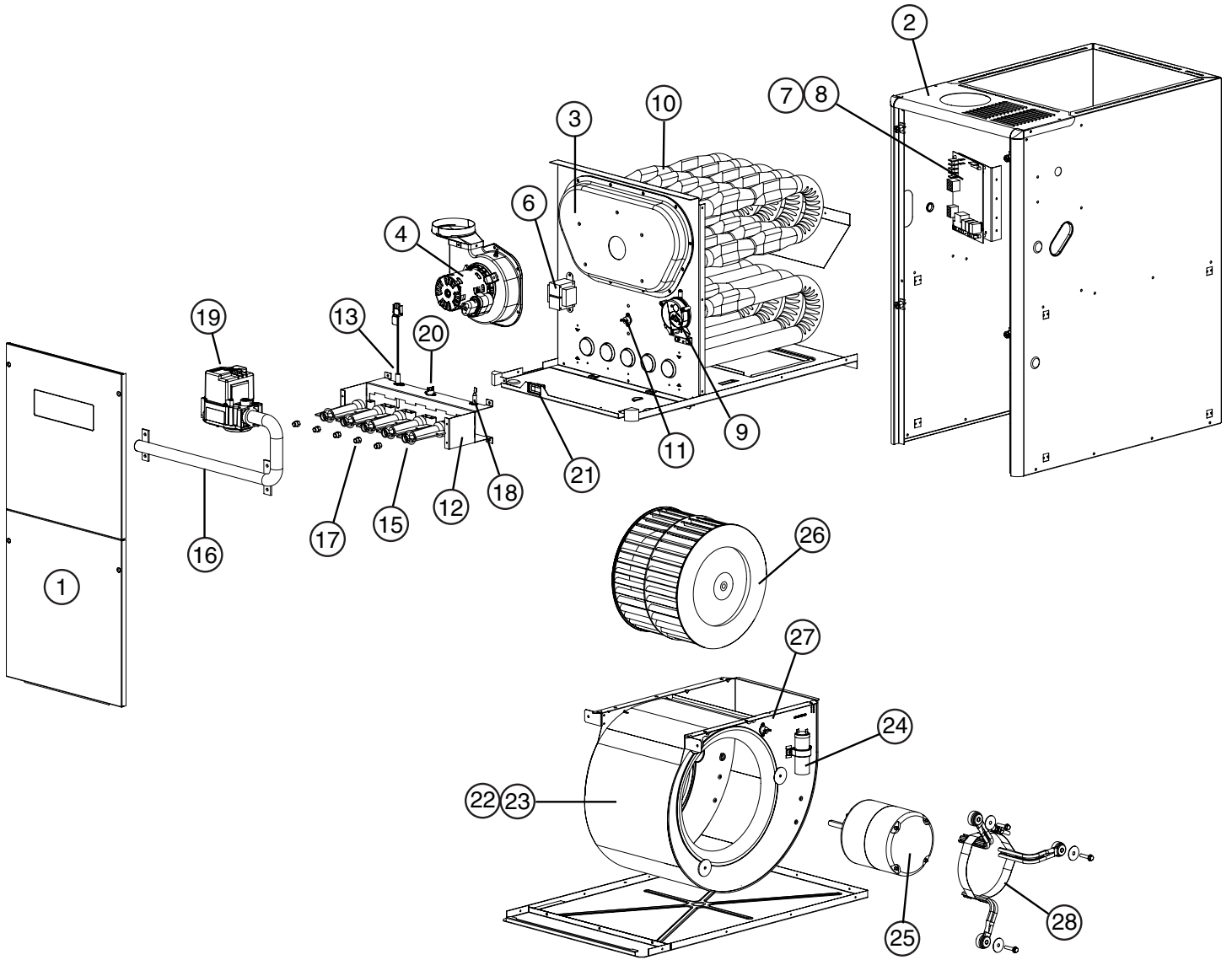
<b>MGC2SC / MGC2SL 92.1% AFUE</b>	Upflow / Horizontal Replacement Parts List.....	Page 6
	Upflow / Horizontal Component Location.....	Page 7
	Downflow Replacement Parts List.....	Page 8
	Downflow Component Location.....	Page 9

## MGC2SA Upflow / Horizontal Replacement Parts List 80+ AFUE

ITEM	DESCRIPTION	045-23A	054-23A	072-24B	072-24B1	090-24B	072-35C	090-35C	108-35C	126-45D
1	Door Set	904771	904771	904772	904768	904772	904773	904773	904773	904774
2	Top Panel	295911R	295911R	295912R	295912R	295912R	295913R	295913R	295913R	295914R
3	Collector Pan with gasket	904805	904812	904806	904998	904807	904808	904809	904810	904811
4	Inducer Motor	904796	904796	904796	904999	904796	904796	904796	904796	904796
5	Inducer Gasket (Not Shown)	689988	689988	689988	689988	689988	689988	689988	689988	689988
6	Transformer	622341	622341	622341	622341	622341	622341	622341	622341	622341
7	Control Board	920915	920915	920915	920915	920915	920915	920915	920915	920915
8	Fuse	632261	632261	632261	632261	632261	632261	632261	632261	632261
9	Pressure Switch	632499	632489	632489	632489	632489	632489	632489	632488	632520
10	Heat Exchanger	904779	904779	904780	904780	904781	904782	904783	904868	904785
11	Main Air Limit	626563	626563	626561	626561	626562	626567	626562	626561	626566
12	Burner Assembly	904819	904820	904822	904822	904824	904822	904824	904826	904828
13	Igniter Assembly - Nitride	921074	921074	921074	921074	921074	921074	921074	921074	921074
14	Igniter Bracket (Not Shown)	299261	299261	299261	299261	299261	299261	299261	299261	299261
15	Inshot Burner	661134	661134	661134	661134	661134	661134	661134	661134	661134
16	Manifold, Burner Tube	664228	664228	664229	664229	664230	664229	664230	664231	664232
17	Orifice, Main Burner, Nat. Gas	661049	661047	661047	661047	661047	661047	661047	661047	661047
18	Flame Sensor	632484	632484	632484	632484	632484	632484	632484	632484	632484
19	Gas Valve	624657	624657	624657	624657	624657	624657	624657	624657	624657
20	Roll-Out Switch	626560	626560	626560	626560	626560	626560	626559	626560	626560
21	Door Switch	632125	632125	632125	632125	632125	632125	632125	632125	632125
22	Blower Assembly	904681	904681	904682	904682	904682	904683	904683	904684	904684
23	Blower Housing Assembly	297200R	297200R	297207R	297207R	297207R	297204R	297204R	297209R	297209R
24	Capacitor	622545	622545	622545	622545	622545	622549	622549	622549	622549
25	Motor, Blower	904857	904857	904858	904858	904858	904859	904859	904860	904860
26	Wheel, Blower	667251	667251	667258	667258	667258	667207	667207	667280	667280
27	Blower Limit	626581	626581	626581	626581	626581	626581	626581	626581	626581
28	Repl. Motor Mount Kit	N/A	N/A	904951	904951	904951	904980	904980	904951	904951
29	Hose, High Temp (Not Shown)	263967	263967	263967	263967	263967	263967	263967	263967	263967
30	Set of Wires (Not Shown)	M0036001	M0036001	M0036001	M0036001	M0036001	M0036005	M0036005	M0036005	M0036005

**FOR COMPONENT LOCATIONS, SEE PAGE 3**

# MGC2SA Upflow / Horizontal Component Location

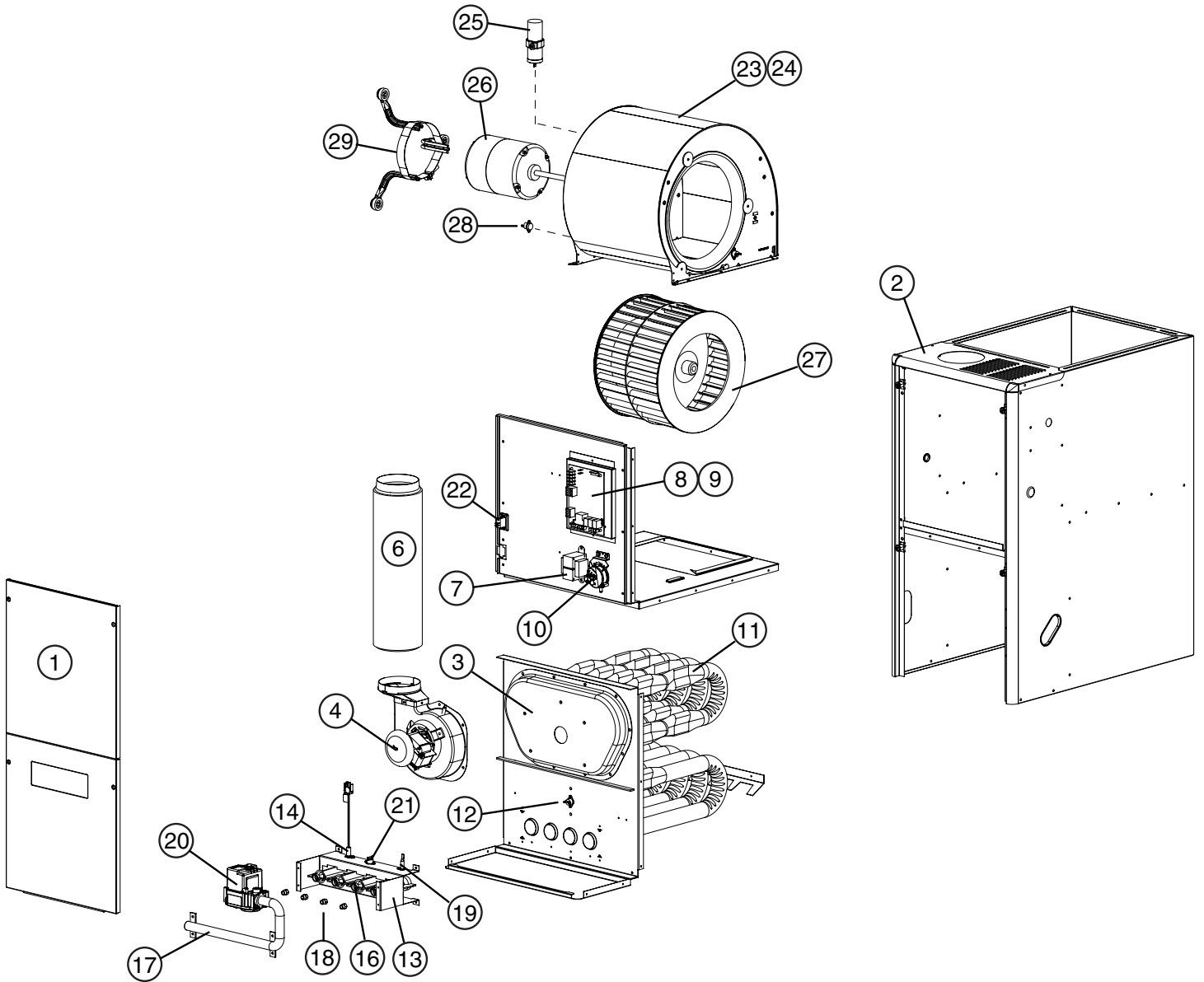


## MGC2SK Downflow Replacement Parts List 80+ AFUE

ITEM	DESCRIPTION	054-23A	072-24B	090-24B	108-35C	126-45D
1	Door Set	904771	904772	904772	904773	904774
2	Top Panel	295911R	295912R	295912R	295913R	295914R
3	Collector Pan With Gasket	904901	904806	904921	904902	904811
4	Inducer Motor	904796	904796	904796	904796	904796
5	Inducer Gasket (Not Shown)	689988	689988	689988	689988	689988
6	Combustion Tube	299291	299291	299291	299291	299291
7	Transformer	622341	622341	622341	622341	622341
8	Control Board	920915	920915	920915	920915	920915
9	Fuse	632261	632261	632261	632261	632261
10	Pressure Switch	632488	632489	632489	632488	632488
11	Heat Exchanger	904779	904780	904781	904868	904785
12	Main Air Limit	626565	626565	626545	626564	626545
13	Burner Assembly	904820	904822	904824	904826	904828
14	Igniter Assembly - Nitride	921074	921074	921074	921074	921074
15	Igniter Bracket (Not Shown)	299261	299261	299261	299261	299261
16	Inshot Burner	661134	661134	661134	661134	661134
17	Manifold, Burner Tube	664228	664229	664230	664231	664232
18	Orifice, Main Burner, Natural Gas	661047	661047	661047	661047	661047
19	Flame Sensor	632484	632484	632484	632484	632484
20	Gas Valve	624657	624657	624657	624657	624657
21	Roll-out Switch	626560	626560	626560	626559	626559
22	Door Switch	632125	632125	632125	632125	632125
23	Blower Assembly	904681	904682	904682	904684	904684
24	Blower Housing Assembly	297200R	297207R	297207R	297209R	294209R
25	Capacitor	622545	622545	622545	622549	622549
26	Motor, Blower	904857	904858	904858	904860	904860
27	Wheel, Blower	667251	667258	667258	667280	667280
28	Blower Limit	626581	626581	626581	626581	626581
29	Repl. Motor Mount Kit	N/A	904951	904951	904951	904951
30	Hose, High Temperature (Not Shown)	263967	263967	263967	263967	263967
31	Set of Wires (Not Shown)	M0036035	M0036038	M0036038	M0036030	M0036030

**FOR COMPONENT LOCATIONS, SEE PAGE 5**

# MGC2SK Downflow Component Location

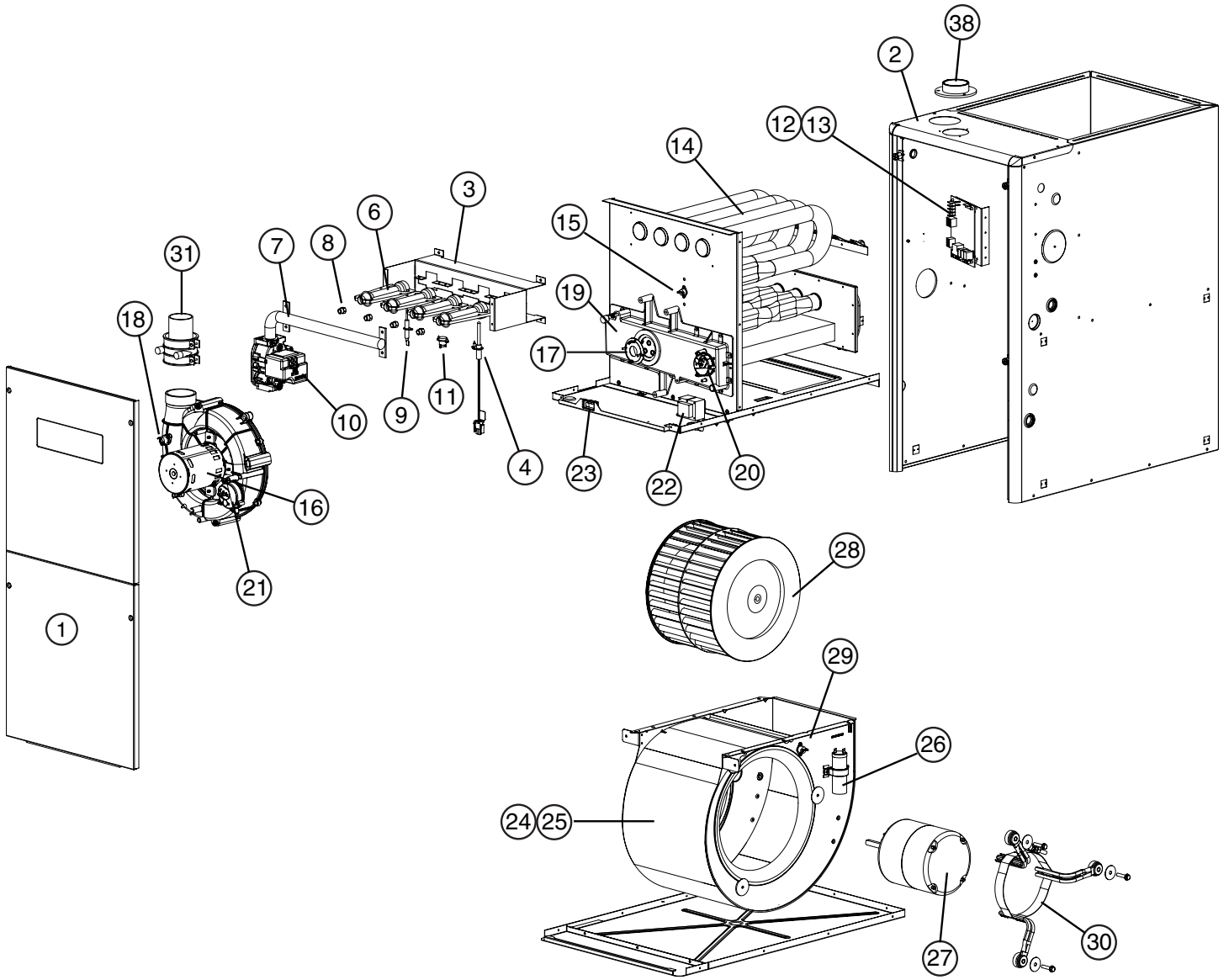


## MGC2SC Upflow / Horizontal Replacement Parts List 92.1% AFUE

ITEM	DESCRIPTION	038D-23A	054D-24B	072D-24B	072D-35C	090D-35C	108D-45D	120D-45D
1	Door Set	904771	904772	904772	904773	904773	904774	904774
2	Top Panel	2B3551R	2B3552R	2B3552R	2B3553R	2B3553R	2B3554R	2B3554R
3	Burner Assembly	904818	904821	904823	904823	904825	904827	904977
4	Igniter Assembly - Nitride	921074	921074	921074	921074	921074	921074	921074
5	Igniter Bracket (Not Shown)	299261	299261	299261	299261	299261	299261	299261
6	Inshot Burner	661134	661134	661134	661134	661134	661134	661134
7	Manifold, Burner Tube	664237	664238	664239	664239	664240	664241	664241
8	Orifice, Main Burner, Natural Gas	661045	661047	661047	661047	661047	661047	661045
9	Flame Sensor	632484	632484	632484	632484	632484	632484	632484
10	Gas Valve	624657	624657	624657	624657	624657	624657	624657
11	Roll-Out Switch	626558	626558	626559	626559	626559	626559	626558
12	Control Board	920915	920915	920915	920915	920915	920915	920915
13	Fuse	632261	632261	632261	632261	632261	632261	632261
14	Heat Exchanger	904786	904869	904788	904870	904871	904791	904791
15	Main Air Limit	626566	626563	626562	626563	626562	626563	626563
16	Inducer Motor	904798	904798	904798	904798	904798	904798	904798
17	Inducer Orifice	669719	669712	669713	669715	669717	Not Used	Not Used
18	Inducer Limit	626599	626599	626599	626599	626599	626599	626599
19	Outlet Header Box	904801	904802	904802	904803	904803	904804	904804
20	Pressure Switch (condensate)	632585	632491	632471	632491	632491	632491	632491
21	Pressure Switch (inducer)		632487	632495	632493	632493	632493	632493
22	Transformer	622341	622341	622341	622341	622341	622341	622341
23	Door Switch	632125	632125	632125	632125	632125	632125	632125
24	Blower Assembly	904681	904682	904682	904683	904684	904684	904684
25	Blower Housing Assembly	297200R	294207R	297207R	297204R	297209R	297209R	297209R
26	Capacitor	622545	622545	622545	622549	622549	622549	622549
27	Motor, Blower	904857	904858	904858	904859	904860	904860	904860
28	Wheel, Blower	667251	667258	667258	667207	667280	667280	667280
29	Blower Limit	626581	626581	626581	626581	626581	626581	626581
30	Repl. Motor Mount Kit	N/A	904951	904951	904980	904951	904951	904951
31	In-Line Drain Assembly	664435	664435	664435	664435	664435	664435	664435
32	Drain Tube, Soft, 23" (Not Shown)	664434	664434	664434	664434	664434	664434	664434
33	Drain Tube, Hard "J" (Not Shown)	663706	663706	663706	663706	663706	663706	663706
34	Drain Tube, Soft, "J" 30" (Not Shown)	663707	663707	663707	663707	663707	663707	663707
35	Tube, Soft, 6.5" (Not Shown)	663727	663727	663727	663727	663727	663727	663727
36	Hose, High Temperature (Not Shown)	263967	263967	263967	263967	263967	263967	263967
37	Set of Wires (Not Shown)	M0036009	M0036003	M0036003	M0036007	M0036007	M0036007	M0036007
38	Finish Flange, Inlet Air	664633	664633	664633	664633	664633	664633	664633

FOR COMPONENT LOCATIONS, SEE PAGE 7

# MGC2SC Upflow / Horizontal Component Location



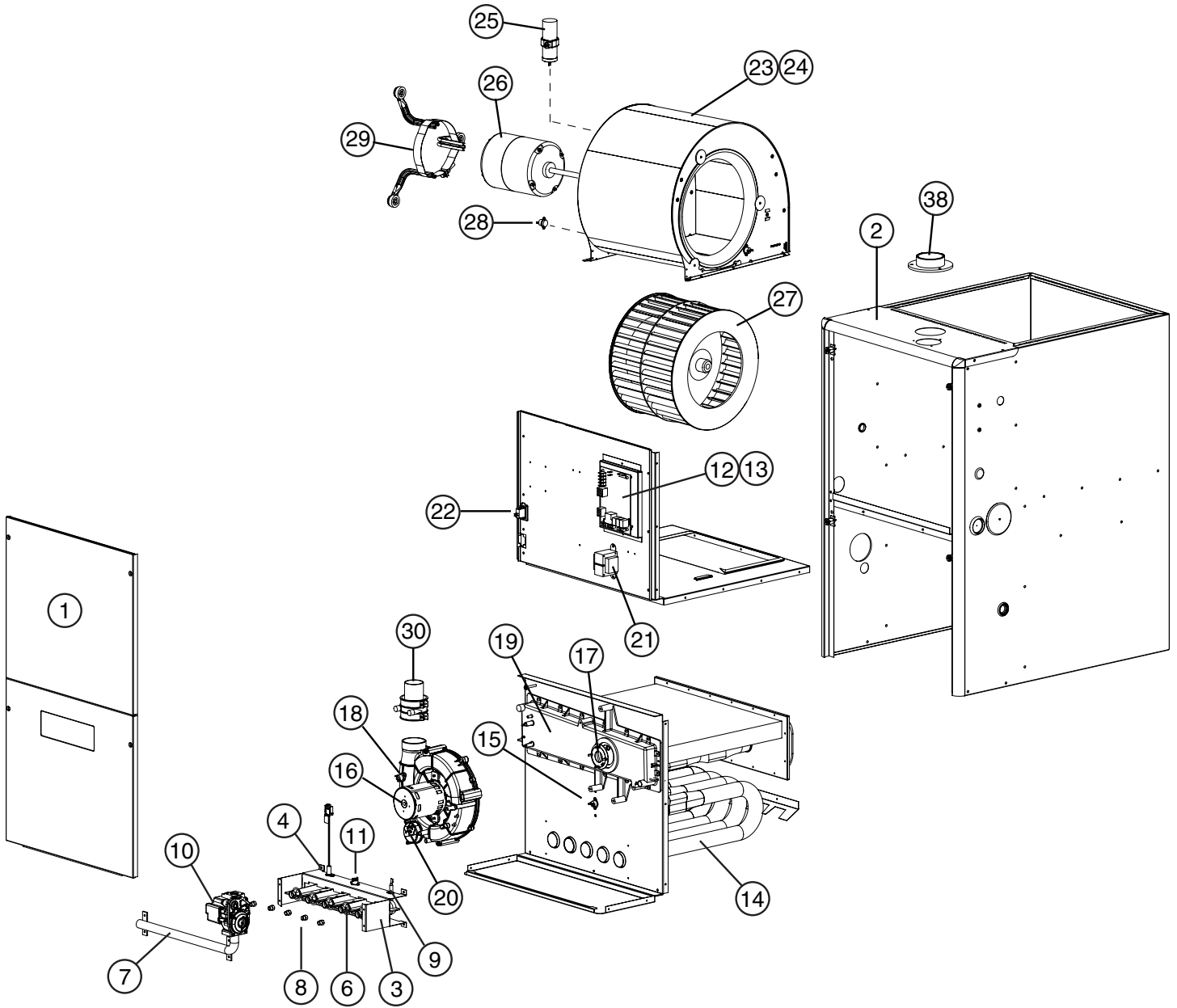
## MGC2SL Downflow Replacement Parts List 92.1% AFUE

ITEM	DESCRIPTION	054D-24B	072D-24B	090D-35C	120D-45D
1	Door Set	904772	904772	904773	904774
2	Top Panel	2B3562R	2B3562R	2B3563R	2B3564R
3	Burner Assembly	904821	904823	904825	904997
4	Igniter Assembly - Nitride	921074	921074	921074	921074
5	Igniter Bracket (Not Shown)	299261	299261	299261	299261
6	Inshot Burner	661134	661134	661134	661134
7	Manifold, Burner Tube	664238	664239	664240	664241
8	Orifice, Main Burner, Natural Gas	661047	661047	661047	661045
9	Flame Sensor	632484	632484	632484	632484
10	Gas Valve	624657	624657	624657	624657
11	Roll-Out Switch	626559	626560	626560	626560
12	Control Board	920915	920915	920915	920915
13	Fuse	632261	632261	632261	632261
14	Heat Exchanger	904869	904788	904871	904791
15	Main Air Limit	626566	626566	626562	626566
16	Inducer Motor	904798	904798	904798	904798
17	Inducer Orifice	669712	669713	669714	Not Used
18	Inducer Limit	626599	626599	626599	626599
19	Outlet Header Box	904802	904802	904803	904804
20	Pressure Switch (inducer)	632487	632487	632487	632487
21	Transformer	622341	622341	622341	622341
22	Door Switch	632125	632125	632125	632125
23	Blower Assembly	904682	904682	904684	904684
24	Blower Housing Assembly	297207R	297207R	297209R	297209R
25	Capacitor	622545	622545	622549	622549
26	Motor, Blower	904858	904858	904860	904860
27	Wheel, Blower	667258	667258	667280	667280
28	Blower Limit/Blower Deck Limit	626581	626581	626581	626581
29	Repl. Motor Mount Kit	904951	904951	904951	904951
30	In-Line Drain Assembly	664435	664435	664435	664435
31	Drain Tube, Soft, 23" (Not Shown)	664434	664434	664434	664434
32	Drain Tube, Hard "J" (Not Shown)	663706	663706	663706	663706
33	Drain Tube, Soft, "J" 30" (Not Shown)	663707	663707	663707	663707
34	Tube, Soft, 5.5" (Not Shown)	664520	664520	664520	664520
35	Hose, High Temperature (Not Shown)	263967	263967	263967	263967
36	Set of Wires (Not Shown)	M0036004	M0036004	M0036029	M0036029
37	Finish Flange, Inlet Air	664491	664491	664491	664491

FOR COMPONENT LOCATIONS, SEE PAGE 9



# MGC2SL Downflow Component Location







---

**NORDYNE**  
COMPLETE COMFORT. GENUINE VALUE.

Specifications & illustrations subject to change without notice or incurring obligations.  
O' Fallon, MO | Printed in U.S.A. (03/11)



**708813F** (Replaces 708813E)