

QUICK REFERENCE DATA

*S6BF Series Residential Split System Air Conditioner

16 SEER

MODEL NUMBER: *S6BF		024K	030K	036K	
ELECTRICAL DATA	Volts-Cycles-Phase (1)		208/230-60-1		
	Total Amps		14.1	13.7	15.1
	Delay Fuse Max. (2)		30	25	30
	Min. Circuit Ampacity		17.5	16.9	18.6
CONDENSER DATA	Coil	Area	13.3	15.2	22.8
		Rows-FPI	1-23	1-18	1-18
		Tube Dia	MC		
	Fan Motor	Type	PSC		
		Amps	0.7	0.9	1.0
		HP	0.10	0.13	0.20
	Compressor Data	RLA	13.4	12.8	14.1
LRA		58.3	64.0	77.0	
REFRIGERANT SUCTION LINE O.D. NOTE: Liquid line is 3/8" O.D. for entire length.		0-24 ft.	3/4"	3/4"	3/4"
		25-39 ft.	3/4"	3/4"	7/8" (3)
		40-75 ft.	3/4"	3/4"	7/8" (3)
Refrigerant charge (R-410A) in ounces for outdoor unit, indoor unit and 15' line set. (5)		64.0	67.0	78.0	
APPROXIMATE WEIGHT (LBS.)		Net	164	179	198
		Ship	171	187	207

- (1) Operating Voltage Range: 187v min. — 253v max.
- (2) HACR Type Circuit Breakers may be used.
- (3) Requires 7/8" to 3/4" reducer from line to unit.
- (4) Requires 7/8" to 1-1/8" reducer from line to unit.
- (5) Additional charge for line sets above 15 feet. Values based on suction line as follows with 3/8" liquid line.
 - (a) 3/4" = 0.6 oz. per additional foot.
 - (b) 7/8" = 0.7 oz. per additional foot.
 - (c) 1 1/8" = 0.8 oz. per additional foot.

Table 1. Electrical Specifications & Physical Data

Thermostat Wire Gauge	Recommended T-Stat Wire Unit to T-Stat (Length in FT)	
	2-Wire (Heating)	5-Wire (Heating/Cooling)
24	55	25
22	90	45
20	140	70
18	225	110

Table 2. Thermostat Wire Gauge

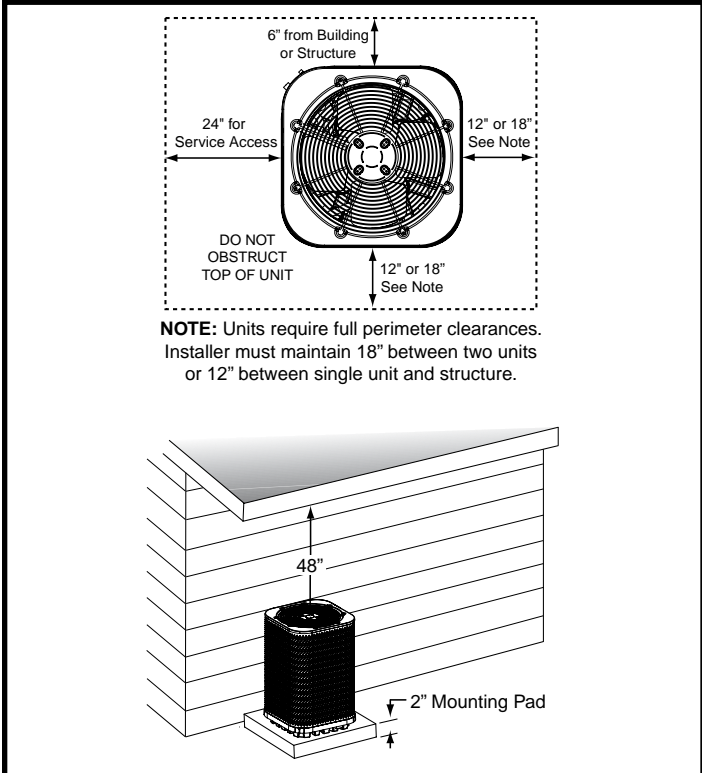
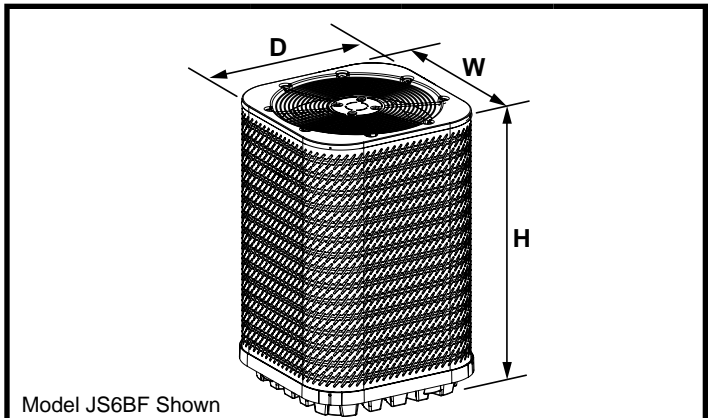


Figure 1. Clearance Requirements



MODEL NUMBER	HEIGHT (H)	WIDTH (W)	DEPTH (D)
*S6BF-024K	35 1/2"	22 3/4"	22 3/4"
*S6BF-030K	27 1/2"	30 3/4"	30 3/4"
*S6BF-036K	39 1/2"	30 3/4"	30 3/4"

Table 3. Unit Dimensions

Instructions:

1. Find the column for the model of outdoor unit that is being installed.
2. Find the row for the model of the indoor unit that is being installed.
3. Find the cell in the table in which this row and column meet. In this cell the appropriate orifice / TXV and charge addition for this match are listed. If the text in this cell is BOLD, then a change of orifice is necessary.
4. If a change in restrictor is necessary, then the appropriate restrictor will already be supplied with the outdoor unit.

Examples:

- For the *S6BF-024K / B6EMMX24K-B match, the appropriate TXV is the 669564 and no additional charge needs to be added. (NO CHANGES ARE NECESSARY)
- For the *S6BF-024K / C7B(A,H)M01824(C,U)-B match, the 920668A TXV Kit is needed as well as an additional 3 ounces of charge. (TXV KIT AND CHARGE ADJUSTMENT NEEDED)

Model Number: *S6BF		024K	030K	036K
Outdoor Unit BOM Charge (Oz.)		64	67	78
MODELS	SUPPLIED WITH ID	REQUIRED RESTRICTOR OR TXV (CHARGE ADDITION (OZ) / RATED AIRFLOW -SCFM)		
B6EM				
B6EMMX24K-A	669564	669564 (0 / 835)	--	--
B6EMMX24K-B	669564	669564 (0 / 835)	--	--
B6EMMX30K-A	669565	--	669565 (0 / 995)	--
B6EMMX30K-B	669565	--	669565 (0 / 995)	--
B6EMMX36K-B	669566	--	--	669566 (2 / 1035)
B6VM				
B6VMAX24K-A	669564	669564 (19 / 840)	--	--
B6VMAX24K-B	669564	669564 (9 / 840)	--	--
B6VMAX30K-A	669565	--	669565 (7 / 980)	--
B6VMAX30K-B	669565	--	669565 (7 / 980)	--
B6VMAX36K-B	669566	--	--	669566 (11 / 1045)
C7-0				
C7B(A,H)M01824(C,U)-A	0.048	920668A (3 / 845)	--	--
C7B(A,H)M01824(C,U)-B	0.055	920668A (3 / 845)	--	--
C7B(A,H)M030(C,U)-C	0.061	--	920669A (0 / 860)	--
C7B(A,H)M03036(C,U)-A	0.061	--	920669A (0 / 860)	--
C7B(A,H)M03036(C,U)-B	0.067	--	920669A (0 / 860)	--
C7B(A,H)M03642(C,U)-B	0.071	--	--	920670A (0 / 1325)
C7B(A,H)M03648(C,U)-C	0.067	--	--	920670A (0 / 1325)

NOTES:

- The charges listed are only valid for the standard 15' lineset.
- Part numbers beginning with 669***are TXV part numbers and numbers listed as 0.*** are restrictor diameters.

**Table 4. REQUIRED RESTRICTOR OR TXV
(CHARGE ADDITION (OZ) / RATED AIRFLOW -SCFM)**



Specifications & illustrations subject to change without notice or incurring obligations.
O'Fallon, MO | Printed in U.S.A. (05/12)



7094400 (NEW)