

QUICK REFERENCE DATA

JS6BD SERIES - RESIDENTIAL SPLIT SYSTEM AIR CONDITIONER

MODEL NUMBER JS6BD-		018KA	024K	030K	036K	
ELECTRICAL DATA	Volts-Cycles-Phase (1)		208/230-60-1			
	Total Amps		8.2	10.3	10.8	16.4
	Delay Fuse Max. (2)		15	20	20	35
	Min. Circuit Ampacity		10.1	12.7	13.3	20.1
COMPONENT DATA	Coil	Area	10.0	10.0	10.0	13.3
		Rows-FPI	1-23	1-23	1-23	1-23
		Tube Dia	Microchannel			
	Fan Motor	Type	PSC			
		Amps	0.35	0.7	0.7	1.4
		HP	0.05	0.1	0.1	0.25
	Compressor Data	RLA	7.8	9.6	10.1	15.0
LRA		45	61	60	88	
RECOMMENDED REFRIGERANT SUCTION LINE O.D.* NOTE: Liquid line is 3/8" O.D. for entire length.		15-24 ft.	3/4"	3/4"	3/4"	3/4"
		25-39 ft.	3/4"	3/4"	3/4"	7/8"
		40-75 ft.	3/4"	3/4"	3/4"	7/8"
REFRIGERANT CHARGE R-410A in ounces for outdoor unit & 15' Lineset. (5)		43	52	54	59	
APPROXIMATE WEIGHT (LBS.)		Net	109	113	116	135
		Ship	114	118	121	140

- 1) Operating Voltage Range: 187v min. — 253v max.
- 2) HACR Type Circuit Breakers may be used.
- 3) Requires 7/8" to 3/4" reducer from line to unit.
- 4) Requires 7/8" to 1-1/8" reducer from line to unit.
- 5) Additional charge for line sets above 15 feet. Values based on suction line as follows with 3/8" liquid line.
 - (a) 3/4" = 0.6 oz. per additional foot.
 - (b) 7/8" = 0.7 oz. per additional foot.
 - (c) 1 1/8" = 0.8 oz. per additional foot.

Table 1. Electrical Specifications & Physical Data

WIRE GAUGE	RECOMMENDED MAXIMUM WIRE LENGTH (FT) FROM UNIT TO THERMOSTAT
22	45
20	70
18	115
16	180

Table 2. Thermostat Wire Gauge

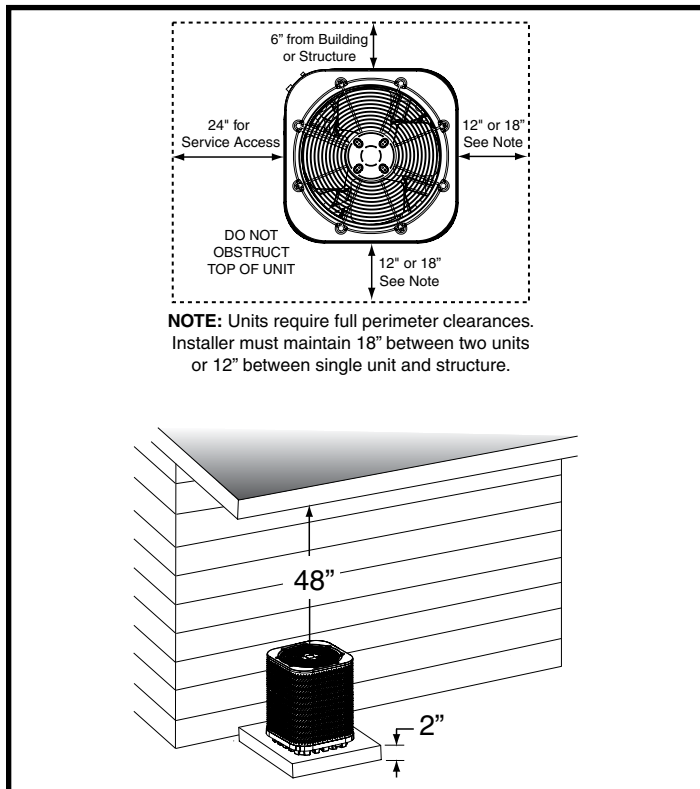
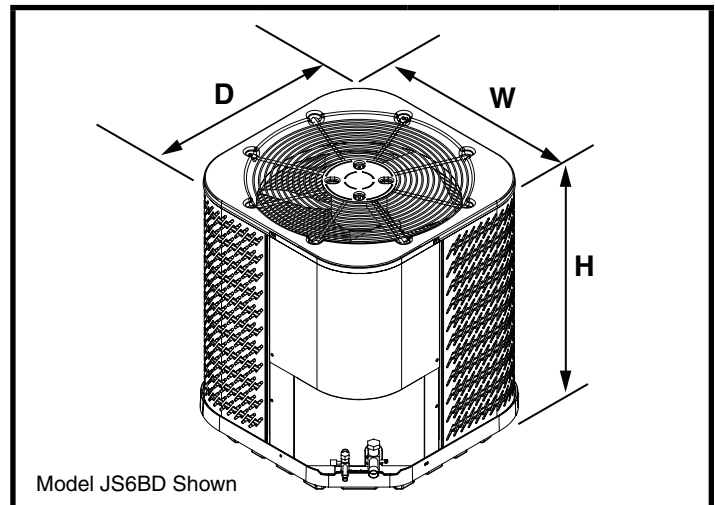


Figure 1. Clearance Requirements



MODEL NUMBER	HEIGHT (H)	WIDTH (W)	DEPTH (D)
JS6BD-018KA	27 1/2"	22 3/4"	22 3/4"
JS6BD-024K	27 1/2"	22 3/4"	22 3/4"
JS6BD-030K	27 1/2"	22 3/4"	22 3/4"
JS6BD-036K	35 1/2"	22 3/4"	22 3/4"

Table 3. Unit Dimensions

Instructions:

1. Find the column for the model of outdoor unit that is being installed.
2. Find the row for the model of the indoor unit that is being installed.
3. Find the cell in the table in which this row and column meet. In this cell the appropriate orifice / TXV and charge addition for this match are listed. If the text in this cell is **BOLD**, then a change of orifice is necessary.
4. If a change in restrictor is necessary, then the appropriate restrictor will already be supplied with the outdoor unit.

Examples:

- For the JS6BD-024K / B6BMM024K-B match, the appropriate restrictor is the .055" and 5 ounces of charge will need to be added. (CHANGE IN CHARGE)
- For the JS6BD-036K / B6BW036K match, the appropriate restrictor is the .069", and the no additional charge needs to be added. (NO CHANGES NECESSARY)

MODEL NUMBER: JS6BD		018KA	024K	030K	036K
ID RESTRICTOR SUPPLIED WITH OD UNIT:		0.050, 0.054	0.055	0.058, 0.061	0.067, 0.069
OUTDOOR UNIT BOM CHARGE (OZ.)		43	52	54	59
MODELS	SUPPLIED WITH ID	REQUIRED RESTRICTOR (OR TXV / CHARGE ADDITION (OZ) / RATED AIRFLOW (SCFM))			
GB5BM-0					
GB5BM-024K-A	0.055	--	0.055 (26 / 875)	--	--
GB5BM-024K-B	0.055	--	0.055 (26 / 900)	--	--
GB5BM-030K-A	0.065	--	--	0.065 (26 / 750)	--
GB5BM-030K-B	0.065	--	--	0.065 (26 / 875)	--
GB5BM-036K-B	0.073	--	--	--	0.073 (30 / 1140)
GB5BMM					
GB5BMM024K-A	0.055	--	0.055 (5 / 700)	--	--
GB5BMM024K-B	0.055	--	0.055 (5 / 715)	--	--
GB5BMM030K-A	0.062	--	--	0.058 (7 / 915)	--
GB5BMM030K-B	0.062	--	--	0.058 (7 / 915)	--
GB5BMM042K-B	0.074	--	--	--	0.069 (2 / 1225)
B5BM-X					
B5B(M,V)-X24K-A	669564	--	669564 (26 / 875)	--	--
B5B(M,V)-X24K-B	669564	--	669564 (26 / 900)	--	--
B5B(M,V)-X30K-A	669565	--	--	669565 (26 / 750)	--
B5B(M,V)-X30K-B	669565	--	--	669565 (26 / 875)	--
B5B(M,V)-X36K-B	669566	--	--	--	669566 (30 / 1140)
B6BMM0					
B6BMM024K-A	0.055	0.055 (0 / 605)	0.055 (5 / 700)	--	--
B6BMM024K-B	0.055	0.055 (0 / 605)	0.055 (5 / 715)	--	--
B6BMM030K-A	0.062	--	--	0.058 (7 / 915)	--
B6BMM030K-B	0.062	--	--	0.058 (7 / 915)	--
B6BMM042K-B	0.074	--	--	--	0.069 (2 / 1225)

NOTES:

- The charges listed are only valid for the standard 15' lineset.
- Numbers listed as 0.*** are restrictor diameters, while numbers listed as 669*** are TXV part numbers.

Table 4. Restrictor or TXV / Charge Addition (Oz)

Instructions:

1. Find the column for the model of outdoor unit that is being installed.
2. Find the row for the model of the indoor unit that is being installed.
3. Find the cell in the table in which this row and column meet. In this cell the appropriate orifice / TXV and charge addition for this match are listed. If the text in this cell is **BOLD**, then a change of orifice is necessary.
4. If a change in restrictor is necessary, then the appropriate restrictor will already be supplied with the outdoor unit.

Examples:

- For the JS6BD-024K / B6BMM024K-B match, the appropriate restrictor is the .055" and 5 ounces of charge will need to be added. (CHANGE IN CHARGE)
- For the JS6BD-036K / B6BW036K match, the appropriate restrictor is the .069", and the no additional charge needs to be added. (NO CHANGES NECESSARY)

MODEL NUMBER: JS6BD		018KA	024K	030K	036K
ID RESTRICTOR SUPPLIED WITH OD UNIT:		0.050, 0.054	0.055	0.058, 0.061	0.067, 0.069
OUTDOOR UNIT BOM CHARGE (OZ.)		43	52	54	59
MODELS	SUPPLIED WITH ID	REQUIRED RESTRICTOR (OR TXV / CHARGE ADDITION (OZ) / RATED AIRFLOW (SCFM))			
B6BMMX					
B6BMMX24K-A	669564	669564 (18 / 650)	669564 (0 / 740)	--	--
B6BMMX24K-B	669564	669564 (18 / 650)	669564 (0 / 770)	--	--
B6BMMX30K-A	669565	--	--	669565 (0 / 915)	--
B6BMMX30K-B	669565	--	--	669565 (0 / 915)	--
B6BW					
B6BW-018K(*)	0.056	0.050 (3 / 620)	--	--	--
B6BW-024K(*)	0.057	--	0.057 (0 / 850)	--	--
B6BW-030K(*)	0.060	--	--	0.060 (0 / 950)	--
B6BW-036K(*)	0.069	--	--	--	0.069 (0 / 1080)
C5					
C5(Q,D)A-X25U-B	669564	--	669564 (26 / 800)	--	--
C5(Q,D)A-X30U-B	669565	--	--	669565 (26 / 900)	--
C5(Q,D)A-X36U-B	669566	--	--	--	669566 (30 / 1140)
C5(Q,D)A-X37U-B	669566	--	--	--	669566 (30 / 1140)
C6					
C6B(A,H)-X24(C,U)-A	669564	669564 (21 / 605)	669564 (26 / 800)	--	--
C6B(A,H)-X24(C,U)-B	669681	669681 (21 / 605)	669681 (26 / 800)	--	--
C6B(A,H)-X30(C,U)-A	669565	--	--	669565 (26 / 925)	--
C6B(A,H)-X30(C,U)-B	669682	--	--	669682 (26 / 1030)	--
C6B(A,H)-X30(C,U)-C	669682	--	--	669682 (26 / 1030)	--
C6B(A,H)-X36(C,U)-B	669683	--	--	--	669683 (30 / 1150)
C6B(A,H)-X36(C,U)-C	669683	--	--	--	669683 (30 / 1200)

NOTES:

- The charges listed are only valid for the standard 15' lineset.
- Numbers listed as 0.*** are restrictor diameters, while numbers listed as 669*** are TXV part numbers.

Table 4. Restrictor or TXV / Charge Addition (Oz) - Continued

MODEL NUMBER: JS6BD		018KA	024K	030K	036K
ID RESTRICTOR SUPPLIED WITH OD UNIT:		0.050, 0.054	0.055	0.058, 0.061	0.067, 0.069
OUTDOOR UNIT BOM CHARGE (OZ.)		43	52	54	59
MODELS	SUPPLIED WITH ID	REQUIRED RESTRICTOR (OR TXV / CHARGE ADDITION (OZ) / RATED AIRFLOW (SCFM))			
C7-0					
C7B(A,H)M01824(C,U)-A	0.048	0.054 (24 / 650)	0.055 (0 / 705)	--	--
C7B(A,H)M01824(C,U)-B	0.055	0.054 (24 / 650)	0.055 (0 / 800)	--	--
C7B(A,H)M030(C,U)-C	0.061	--	0.055 (0 / 800)	0.061 (3 / 940)	--
C7B(A,H)M03036(C,U)-A	0.061	--	--	0.061 (3 / 930)	0.067 (2 / 1220)
C7B(A,H)M03036(C,U)-B	0.067	--	--	0.061 (3 / 940)	0.067 (2 / 1220)
C7B(A,H)M03642(C,U)-B	0.071	--	--	--	0.067 (2 / 1220)
C7B(A,H)M03648(C,U)-C	0.067	--	--	--	0.067 (2 / 1220)
C7-X					
C7B(A,H)MX24(C,U)-A	669681	669681 (18 / 650)	669681 (0 / 705)	--	--
C7B(A,H)MX24(C,U)-B	669681	669681 (18 / 650)	669681 (0 / 800)	--	--
C7B(A,H)MX30(C,U)-A	669682	--	--	669682 (0 / 935)	--
C7B(A,H)MX30(C,U)-B	669682	--	--	669682 (0 / 935)	--
C7B(A,H)MX36(C,U)-B	669683	--	--	--	669683 (0 / 1220)
C7B(A,H)MX36(C,U)-C	669683	--	--	--	669683 (0 / 1220)
C8 (ONLY FOR USE IN MANUFACTURED HOUSING APPLICATIONS BY MANUFACTURED HOUSING BRANDS)					
C8(B,D)AM01830U-B	0.061	0.054 (24 / 650)	0.055 (0 / 805)	0.061 (3 / 930)	--
C8(B,D)AM036U-B	0.067	--	--	--	0.067 (2 / 1245)

NOTES:

- The charges listed are only valid for the standard 15' lineset.
- Numbers listed as 0.*** are restrictor diameters, while numbers listed as 669*** are TXV part numbers.

Table 4. Restrictor or TXV / Charge Addition (Oz) - Continued

