

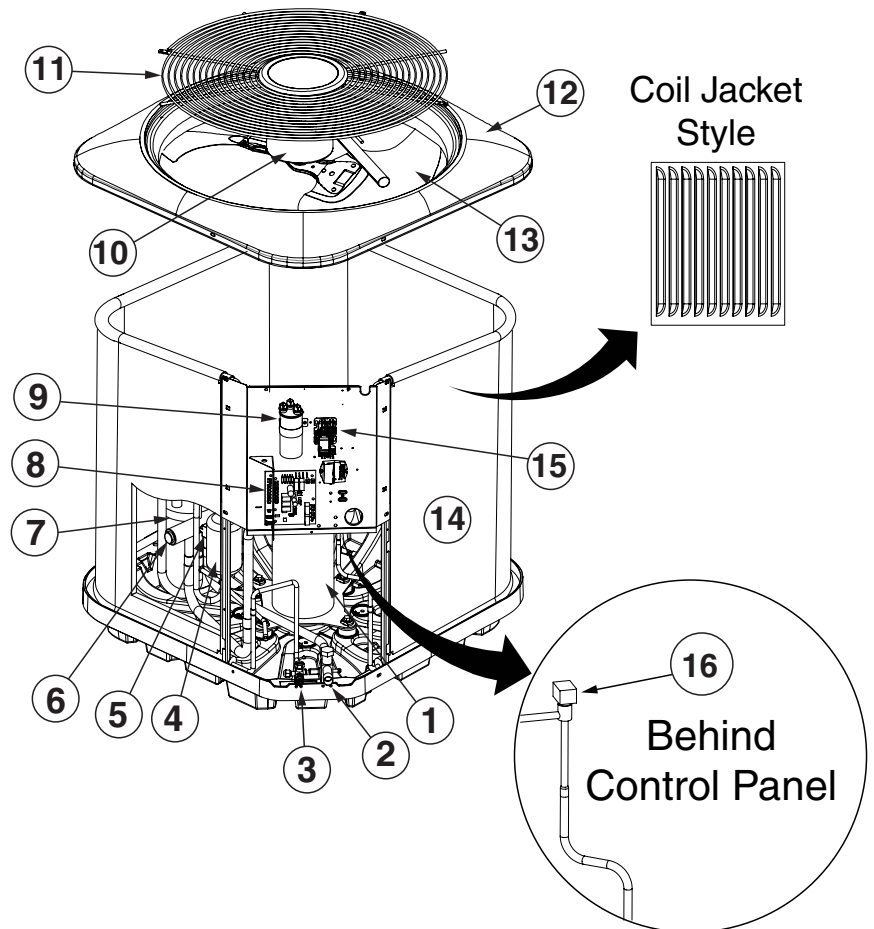
## REPLACEMENT PARTS LIST

SPLIT SYSTEM HEAT PUMP WITH MICROCHANNEL COIL

PSH4BD SERIES

13 SEER, 8HSPF MODELS

ITEM #	COMPONENT
1	COMPRESSOR
2	REFRIGERANT VALVE (LG)
3	REFRIGERANT VALVE (SM)
4	MUFFLER
5	REVERSING VALVE COIL
6	REVERSING VALVE
7	ACCUMULATOR
8	DEFROST BOARD
9	CAPACITOR
10	OUTDOOR FAN MOTOR
11	OUTDOOR FAN GRILLE
12	TOP PAN
13	OUTDOOR FAN BLADE
14	OUTDOOR COIL
15	CONTACTOR
16	HOT GAS BYPASS SOLENOID
17	CORESENSE MODULE



# PSH4BD SERIES SPLIT SYSTEM HEAT PUMP WITH MICROCHANNEL COIL

COMPONENT	PSH4BD42KA	PSH4BD48KA	PSH4BD60KA
	922308P	922309P	922310P
ACCUMULATOR	668854	668854	668854
AMBIENT SENSOR	624780	624780	624780
CAPACITOR	01-0273	01-0271	01-0271
COMPRESSOR	921463	921465	921468
COMPRESSOR MOLDED PLUG	634660R	634660R	634660R
COMPRESSOR SOUND BLANKET	689792R	689792R	689792R
CONTACTOR	624713	624713	624714
CORESENSE	624811R	624811R	624811R
CRANKCASE HEATER	632410	632410	632410
DEFROST BOARD	624813	624813	624813
DEFROST SENSOR	624812	624812	624812
FILTER DRIER	669761	669761	669761
HIGH PRESSURE SWITCH	632473R	632473R	632473R
HOT GAS BYPASS COIL	669992	669992	669992
HOT GAS BYPASS VALVE	669965	669965	669965
MUFFLER	669546R	669546R	669546R
OUTDOOR COIL	664834	664838	664860
OUTDOOR COIL GUARD	277536SR	277536SR	277536SR
OUTDOOR FAN BLADE	667319R	667319R	667319R
OUTDOOR FAN GRILLE	669591R	669591R	669591R
OUTDOOR FAN MOTOR	622066	622066	622066
REGRIGERANT VALVE (LG)	663865R	663865R	663865R
REGRIGERANT VALVE (SM)	664509R	664509R	664509R
REVERSING VALVE	M0079102	M0079102	M0079102
REVERSING VALVE COIL	669937R	669937R	669937R
SCHRADER FITTING	664423	664423	664423
TOP CAP	275291B	275291B	275291B
TOP PAN	284701R	284701R	284701R

Please specify the correct Model No., Serial No., and part number(s) when ordering parts from the nearest authorized dealer or service center.

