

WIRING DIAGRAM

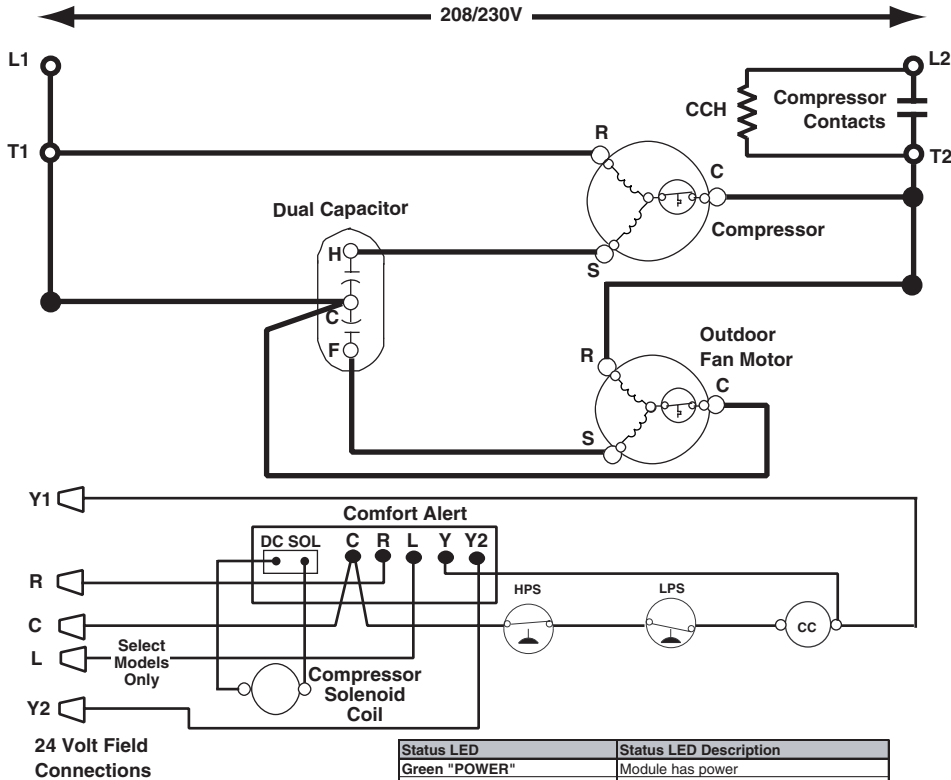
Split System Air Conditioner (Outdoor Section)

Single Phase

NOTES:

1. Disconnect all power before servicing.
2. For supply connections use copper conductors only.
3. Not suitable on systems that exceed 150 volts to ground.
4. For replacement wires use conductors suitable for 105° C.
5. For ampacities and overcurrent protection, see unit rating plate.
6. Connect to 24 vac/40va/class 2 circuit. See furnace/air handler installation instructions for control circuit and optional relay/transformer kits.

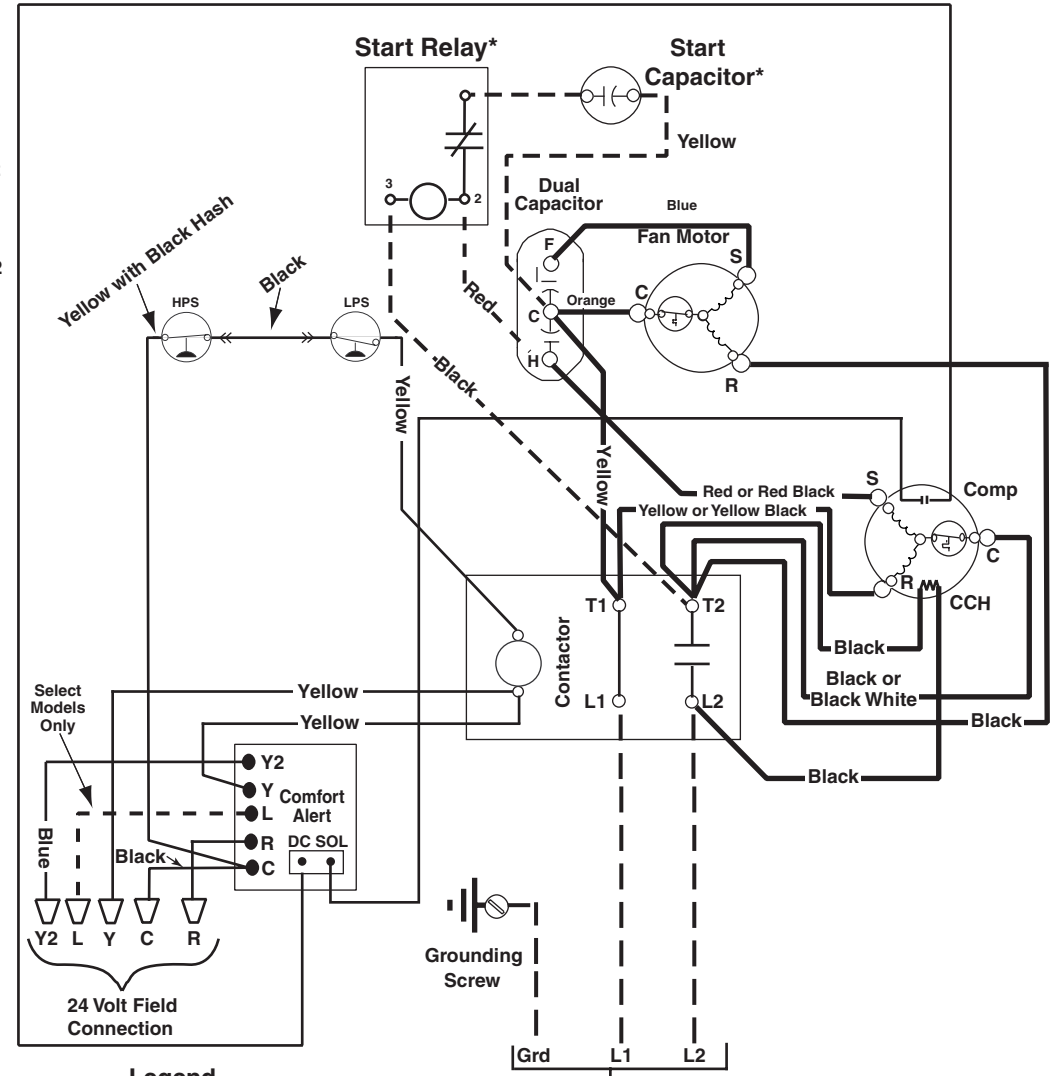
1. Couper le courant avant de faire letretien.
2. Employez uniquement des conducteurs en cuivre.
3. Ne convient pas aux installations de plus de 150 volt a la terre.



Status LED	Status LED Description
Green "POWER"	Module has power
Red "TRIP"	Thermostat demand signal Y is present, but the compressor is not running
Yellow "ALERT" Flash Code 1	Long Run Time Compressor is running extremely long run cycle
Yellow "ALERT" Flash Code 2	System Pressure Trip Discharge or suction pressure out of limits or compressor overloaded
Yellow "ALERT" Flash Code 3	Short Cycling Compressor is running only briefly
Yellow "ALERT" Flash Code 4	Locked Rotor
Yellow "ALERT" Flash Code 5	Open Circuit
Yellow "ALERT" Flash Code 6	Open Start Circuit Current only in run circuit
Yellow "ALERT" Flash Code 7	Open Run Circuit Current only in start circuit
Yellow "ALERT" Flash Code 8	Welded Contactor Compressor always runs
Yellow "ALERT" Flash Code 9	Low Voltage Control circuit < 17 VAC

CC - Contactor Coil
CCH - Crankcase Heater
LPS - Low Pressure Switch
HPS - High Pressure Switch

* Hard Start Kit Field Installed.



Legend

Field Wiring - - - - -

Factory Wiring: _____

Low Voltage _____

High Voltage _____



710531A (Replaces 7105300)