

WIRING DIAGRAM

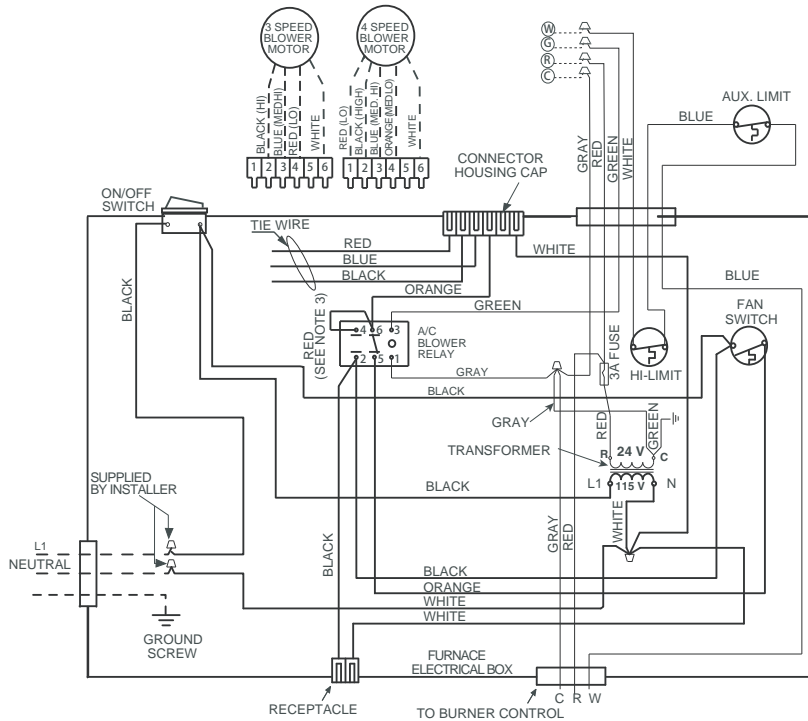
M1B & M5S Furnace Series

120 Volt

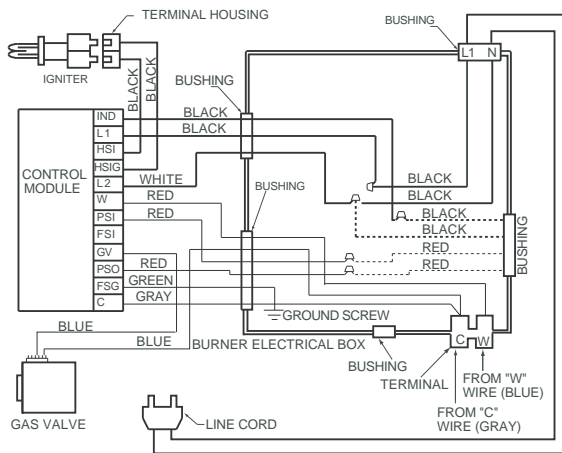
Single Phase / 60 Hz

NOTES:

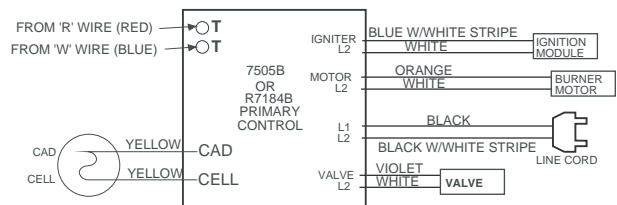
- Incoming power must be polarized. Observe color coding. (See furnace data label for electrical information.)
- If any of the original wires (as supplied with the appliance) must be replaced, use 105°C Thermoplastic type wire or its equivalent.
- On models M1(B,S)A and M1/M5(B,S)086 jumper wire is installed. On all other models, cooling speed is connected to black wire.
- A/C Heating Speeds: Refer to Table 12, A/C Blower Selection
- If any of the original wire supplied with the appliance is replaced, 105°C wire or equivalent.
- Use copper conductors only.
- Flash Codes: Refer to Table 9, Control Module Status Indicators.



GAS GUN BURNER



OIL GUN BURNER



LEGEND:

FIELD WIRING	---
LOW VOLTAGE	—
HIGH VOLTAGE	—



710999B
(Replaces 710999A)