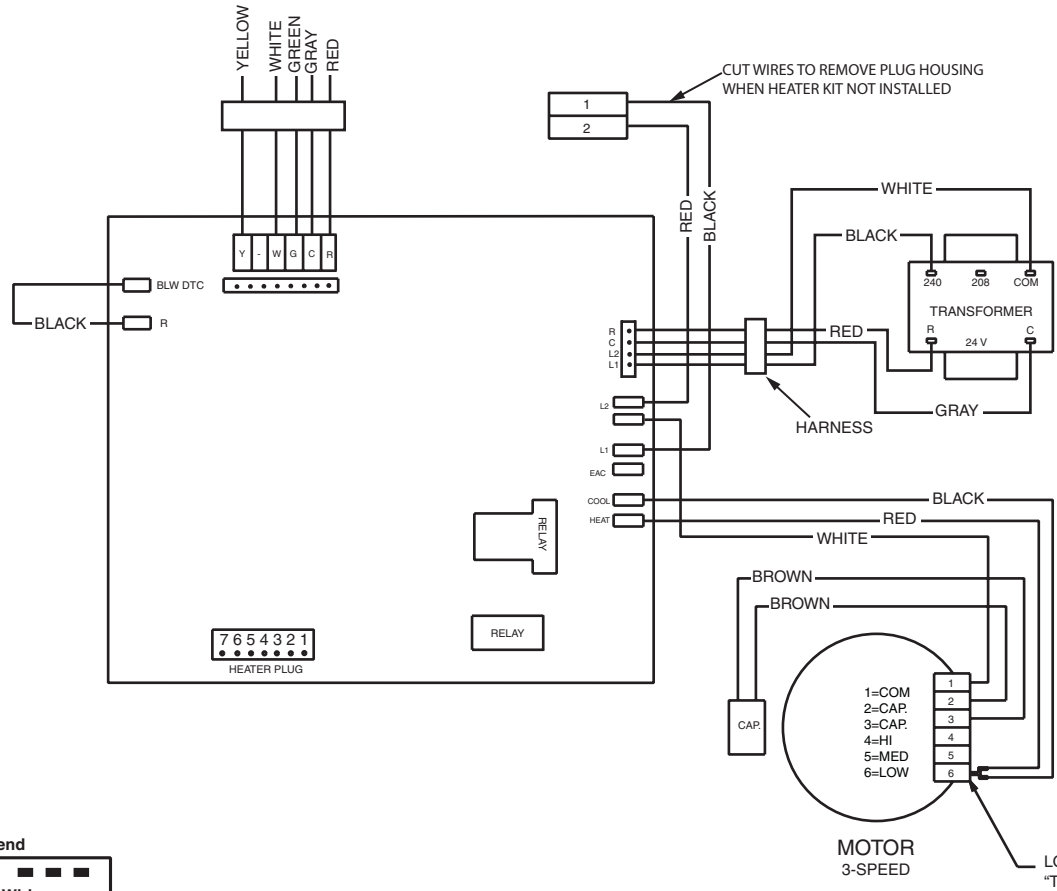


WIRING DIAGRAM

Air Handler



- NOTES:
1. The blower motor speed tap connection may not be as shown. See the Installation Instructions.
 2. Disconnect all power before servicing.
 3. Transformer may have a dual voltage primary tap. Match the tap position with the supply voltage used.
 4. If the internal wiring is replaced, use only 105°C copper wire of the same gauge.

Legend

Field Wiring	■ ■ ■
Factory Wiring:	
Low Voltage	—
High Voltage	—