

# WIRING DIAGRAM

**Q6SP-(090/120)(C/D) Series**

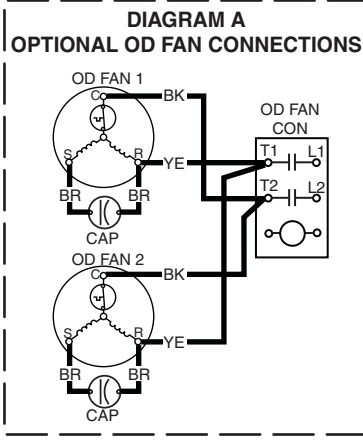
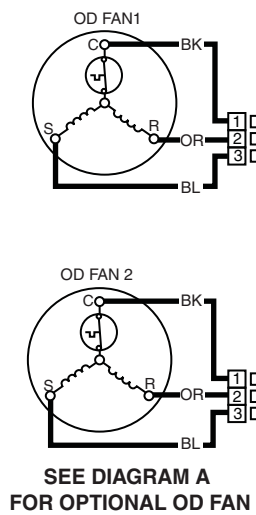
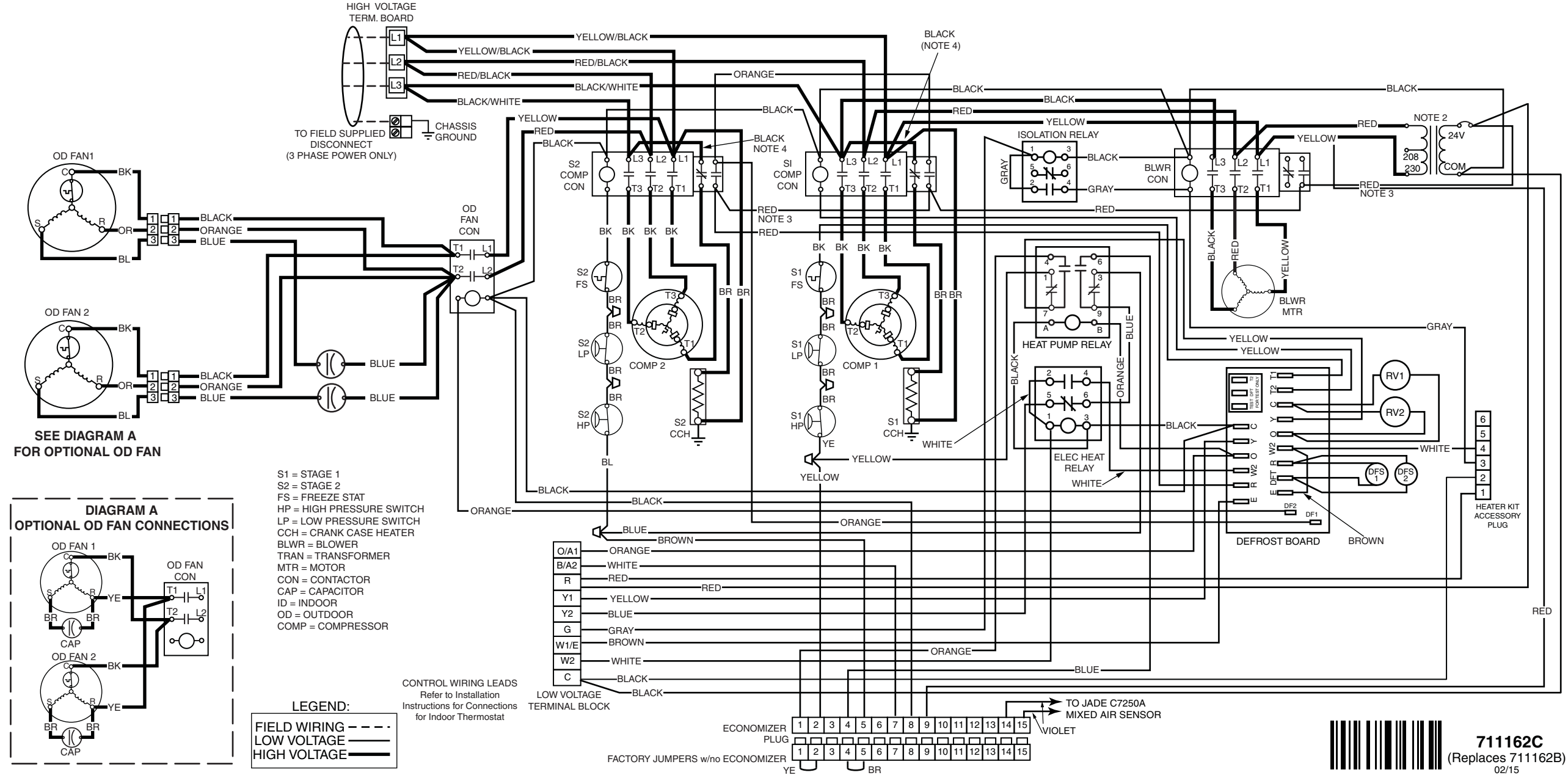
**208-230/460 Volt**

**Three Phase / 60 Hz.**

**NOTES:**

1. For supply wire ampacities and overcurrent protection, see unit rating label.
2. For "C" Series Models only. For 208 VAC operation remove wire at 230V tap and place on 208V tap.
3. Wires attached to normally open contacts of auxillary switch.

4. Wires attached to normally closed contacts of auxillary switch.
5. Disconnect all power before servicing.
6. For supply connections, use copper conductors only.
7. If any of the original wire as supplied with the unit must be replaced, it must be replaced with wiring material having a temperature rating of at least 105C.



S1 = STAGE 1  
 S2 = STAGE 2  
 FS = FREEZE STAT  
 HP = HIGH PRESSURE SWITCH  
 LP = LOW PRESSURE SWITCH  
 CCH = CRANK CASE HEATER  
 BLWR = BLOWER  
 TRAN = TRANSFORMER  
 MTR = MOTOR  
 CON = CONTACTOR  
 CAP = CAPACITOR  
 ID = INDOOR  
 OD = OUTDOOR  
 COMP = COMPRESSOR

CONTROL WIRING LEADS  
 Refer to Installation  
 Instructions for Connections  
 for Indoor Thermostat

LOW VOLTAGE  
 TERMINAL BLOCK

