



SDV35N

Efficient, direct-vent gas fireplaces in front-view and stunning multi-view models for the housing industry.

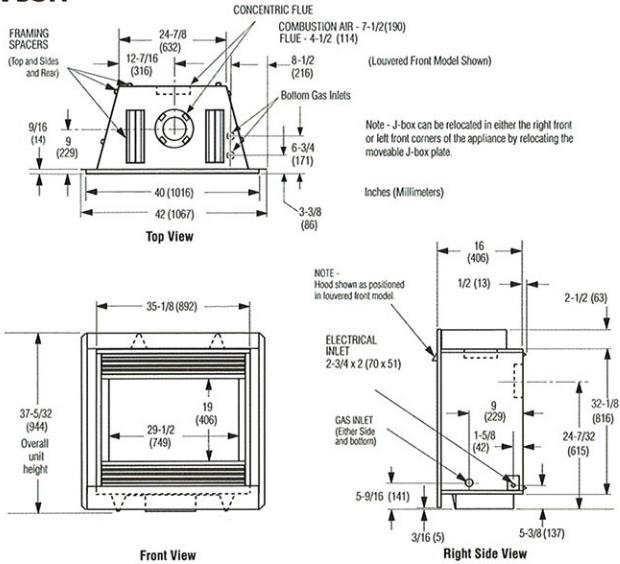


SDVPFN Peninsula



SDVSTN See-Through

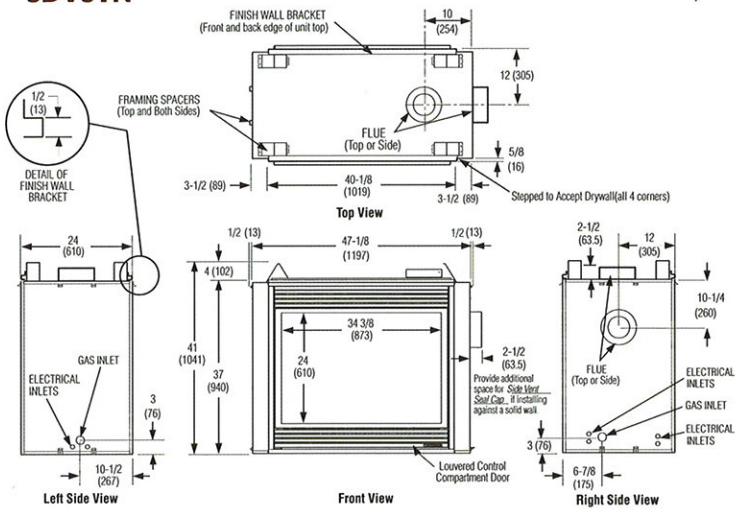
SDV35N



FEATURES & BENEFITS

- Front-View, two sided See-through or three sided Peninsula models
- Added flexibility of venting either out the wall or through the roof
- Secure Vent's twist lock seamless laser weld has no overlapping metal and provides an air tight seal
- More selling power with a certified heater rating
- Same reliable powder coat paint durability as the wood fireplace
- Light, easy to install, ceramic fiber log sets provide more realistic look
- Adjustable air shutter means easy set-ups with no tools necessary
- Easier access to fireplace burn area
- Easy access to fireplace controls
- Optional exterior switches provide more convenience of operation
- Product reliability means less call backs and happier customers

SDVSTN



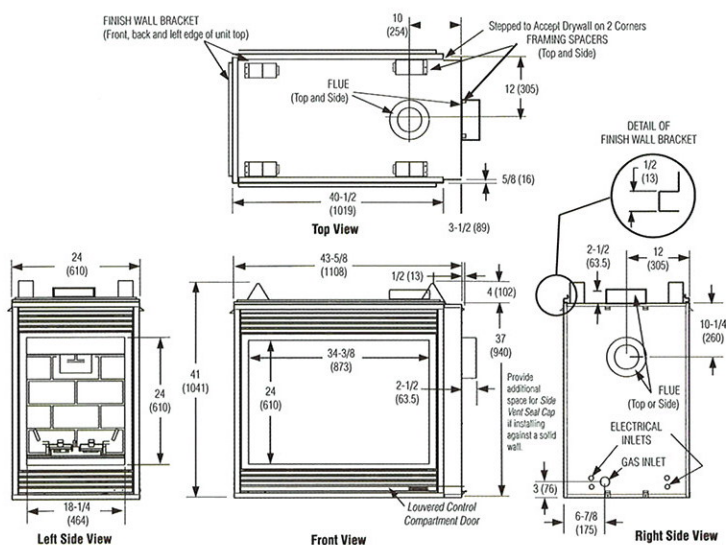
BTU/HR Chart

Model	Natural	Propane
SDV35N	23,000	23,000
SDVSTN	37,500	37,500
SDVPFN	37,500	37,500

Fireplace Efficiency %

	SDV35N	SDVSTN	SDVPFN
Steady State	67 (NG)	72 (NG)	72 (NG)
	68 (LP)	73 (LP)	73 (LP)
A.F.U.E.	63 (NG)	68 (NG)	68 (NG)
	64 (LP)	68 (LP)	68 (LP)

SDVPFN



NOTE: Diagrams and illustrations are not to scale and should not be used for framing purposes – consult installation instructions. Product designs, materials, dimensions, specifications, colors and prices are subject to change or discontinuance without notice.

Built to ANSI Z21.88 and CSA 2.33 standards. Consult your distributor for local fireplace code information.

Tested & Listed By **OTL** Beaverton Oregon USA
OMNI-Test Laboratories, Inc.



OTL Report No. 116-F-13-4 (SDV35N)
OTL Report No. 116-F-32-5 (SDVSTN/SDVPFN)

©Lennox Industries Inc. 2006

Visit us at www.Lennox.com, or contact us at 1-800-9-LENNOX.