

TECHNICAL SPECIFICATIONS

NS6(B,Q)D-K(A) Series

High Efficiency Air Conditioner 13+ SEER System

1.5 - 5 Ton Capacity

The NS6(B,Q)D Series now offers the choice of an air conditioner that uses more efficient and environmentally friendly refrigerant designated R-410A. The unit, when combined with our matched indoor coils, offers a full line of quality, split-system air conditioning systems. Units are ideally sized for manufactured housing applications.



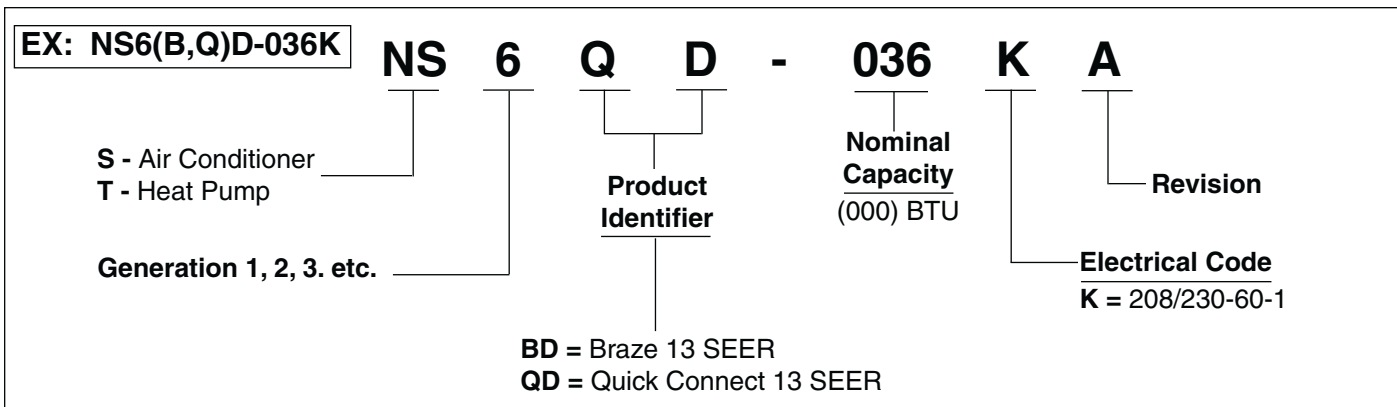
WARRANTY

- 1 year limited parts
- 5 year compressor
- 1 year mileage
- 1 year labor

FEATURES and BENEFITS

- **R-410A Refrigerant:** Earth friendly non-ozone depleting refrigerant.
- **Permanently Lubricated Motor:** A heavy duty PSC motor for long lasting reliability and quiet operation. Requires no maintenance and is completely protected from rain and snow.
- **Removable Top Grille Assembly:** Allows ease of service from the top without disconnecting fan motor leads.
- **Composite Base Pan:** Absorbs sound and corrosion resistant. Composite is also stronger and lighter than steel.
- **One Piece Top/Orifice:** Designed for maximum airflow and quiet operation.
- **Easy Compressor and Control Access:** Designed to make servicing easier for the contractor, access panels are provided to all controls and the compressor from the side of the unit.
- **Durable, Attractive Cabinet:** Designed using galvanized steel with a polyurethane finish. The 950 hour salt spray finish is 1.5 mil thick and resists corrosion 50% better than comparable units.
- **High Pressure Switch:** Protects against abnormally high system pressures. Auto-reset feature prevents nuisance service calls.
- **Liquid Line Filter Drier:** Included with outdoor unit.
- **Micro-Channel Coils:** All aluminum coils, which provides high corrosion resistance.

MODEL IDENTIFICATION CODES



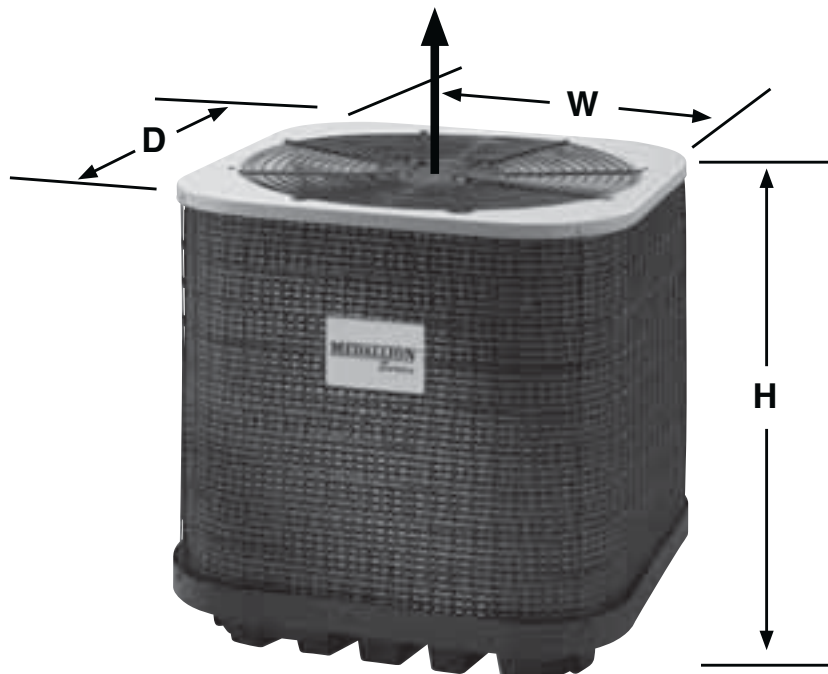
DIMENSIONS

AIR CONDITIONER OUTDOOR SECTION

NS6(B,Q)D	018KA*	024K	030K	036K	042KA	048KA	060KA
H	27 1/2	27 1/2	27 1/2	35 1/2	27 1/2	27 1/2	31 1/2
W	22 3/4	22 3/4	22 3/4	22 3/4	30 3/4	30 3/4	30 3/4
D	22 3/4	22 3/4	22 3/4	22 3/4	30 3/4	30 3/4	30 3/4

* NS6QD-018KA not available

Air Discharge
Allow Adequate
Clearance for Airflow



PHYSICAL AND ELECTRICAL SPECIFICATIONS / OUTDOOR UNITS

13 SEER — High Efficiency — Single Phase

Model Number NS6(B,Q)D-K(A)		018KA	024K	030K	036K	042KA	048KA	060KA	
Electrical Data	Volts-Cycles-Phase (1)	208/230-60-1							
	Total Amps	8.2	10.3	10.8	16.4	19.4	23.2	27.8	
	Delay Fuse Max. (2)	15	20	20	35	40	50	60	
	Min. Circuit Ampacity	10.1	12.7	13.3	20.1	23.9	28.7	34.4	
Component Data	Coil	Area	10.0	10.0	10.0	13.3	15.3	15.3	17.9
		Rows-FPI	1-23	1-23	1-23	1-23	1-18	1-18	1-18
		Tube Dia	Micro-Channel						
	Fan Motor	Type	PSC						
		Amps	0.35	0.7	0.7	1.4	1.5	1.5	1.5
		HP	0.05	0.1	0.1	0.25	0.25	0.25	0.25
	Fan Blade	Dia - # Blades	18" - 2BL	18" - 3BL	18" - 3BL	18" - 4BL	24" - 2BL	24" - 2BL	24" - 2BL
		SCFM	2600	2800	3000	3000	3500	3500	3800
	Compressor Data	RLA	7.8	9.6	10.1	15.0	17.9	21.8	26.4
		LRA	45	61	60	88	112	117	134
REFRIGERANT SUCTION LINE O.D. NOTE: Liquid line is 3/8" O.D. for entire length.	15-24 ft.	3/4"	3/4"	3/4"	3/4"	7/8"	7/8"	7/8"	
	25-39 ft.	3/4"	3/4"	3/4"	7/8"	7/8"	7/8"	1-1/8" (3)	
	40-75 ft.	3/4"	3/4"	3/4"	7/8"	7/8"	7/8"	1-1/8" (3)	
REFRIGERANT CHARGE R-410A in ounces for outdoor unit & 15' Lineset.		43	52	54	59	59	60	69.6	
Approximate Weight (LBS.)	Net	109	113	116	135	179	179	188	
	Ship	114	118	121	140	187	187	197	

(1) Operating Voltage Range: 187v min. - 253v max.

(2) HACR Type Circuit Breakers may be used.

(3) Requires 7/8" to 1-1/8" reducer from line to unit.

NOTE: Additional charge for line sets above 15 feet.

Values based on suction line as follows with 3/8" liquid line.

a) 3/4" = 0.6 oz. per additional foot.

b) 7/8" = 0.7 oz. per additional foot.

c) 1 1/8" = 0.8 oz. per additional foot.

ACCESSORIES - Condensing Unit

Start Assist Kit - 912933

Provides additional starting torque for the compressor motor when operating with low line voltage or high operating temperatures.

Fan Delay Kit (TDR)

918476 - 80-second fan delay.

Insulated Pre-Charged Line Sets

A line set consists of a liquid line, an insulated suction line, service gaugeports, and the quick-connect coupling. 15, 20, 25, 30, 40, and 50 ft. lengths are available. Lines are factory pre-charged such that no additional refrigerant charge is required on matched systems.

Extreme Wind Condition Mounting Kit - 920900

SYSTEM HEATING & COOLING CAPACITIES

13 SEER — High Efficiency — Single Phase

M1, M7		Coleman/Vexar/Revolv Gas or Electric				
Outdoor Unit	Indoor Coil	Coil Height	Cooling Capacity	SEER	EER	SCFM
NS6QD-024KA	C8QAM024U-B	20"	24,400	13.0	11.0	805
NS6QD-030KA	C8QAM030U-B	20"	28,600	13.0	11.0	930
NS6QD-036KA	C8QAM036U-B	20"	35,400	13.0	10.7	1245
NS6QD-042KA	CM4Q-53U	18.5"	39,500	13.0	10.8	1250
NS6QD-048KA	CM4Q-54U	18.5"	44,500	13.0	10.8	1450
NS6QD-060KA*	CM4Q-54U**	18.5"	50,000	13.0	10.7	1450
NS6BD-018KA	C8(B,D)AM01830U-B	20"	18,000	13.0	11.0	650
NS6BD-024K	C8(B,D)AM01830U-B	20"	24,400	13.0	11.0	805
NS6BD-030K	C8(B,D)AM01830U-B	20"	28,600	13.0	11.0	930
NS6BD-036K	C8(B,D)AM036U-B	20"	35,400	13.0	10.7	1245
NS6BD-042KA	CM4B-53U	18.5"	39,500	13.0	10.8	1250
NS6BD-048KA	CM4B-54U	18.5"	44,500	13.0	10.8	1450
NS6BD-060KA*	CM4B-54U**	18.5"	50,000	13.0	10.7	1450

* 5 ton condenser is not a valid match with the M7

** Requires 5 ton blower on high Speed

E3						
Outdoor Unit	Indoor Coil	Coil Height	Cooling Capacity	SEER	EER	SCFM
NS6QD-024KA	C8QAM024U-B	20"	24,400	13.0	11.0	805
NS6QD-030KA	C8QAM030U-B	20"	28,600	13.0	11.0	930
NS6QD-036KA	C8QAM036U-B	20"	35,400	13.0	10.7	1245
NS6QD-042KA	C8QAM042U-B	26"	40,000	13.0	11.0	1290
NS6QD-042KA	CM4Q-53U	18.5"	39,500	13.0	10.8	1250
NS6QD-048KA	CM4Q-54U	18.5"	44,500	13.0	10.8	1450
NS6QD-048KA	CM4Q-56U	24.5"	46,500	13.0	10.8	1600
NS6QD-060KA	CM4Q-56U**	24.5"	53,000	13.0	10.7	1600
NS6BD-018KA	C8(B,D)AM01830U-B	20"	18,000	13.0	11.0	650
NS6BD-024K	C8(B,D)AM01830U-B	20"	24,400	13.0	11.0	805
NS6BD-030K	C8(B,D)AM01830U-B	20"	28,600	13.0	11.0	930
NS6BD-036K	C8(B,D)AM036U-B	20"	35,400	13.0	10.7	1245
NS6BD-042KA	C8(B,D)AM042U-B	26"	40,000	13.0	11.0	1290
NS6BD-048KA	CM4B-54U	18.5"	44,500	13.0	10.8	1450
NS6BD-048KA	CM4B-56U	24.5"	46,500	13.0	10.8	1600
NS6BD-060KA	CM4B-56U**	24.5"	53,000	13.0	10.7	1600

** Requires 5 ton blower on high speed

See current AHRI Directory for certified combinations and ratings.

www.ahridirectory.org

COOLING EXPANDED RATINGS

NS6BD-018KA C7B(A,H)M01824(C,U)-B

O.D.T			65°F			75°F			85°F			95°F			105°F			115°F		
CFM	E.D.B.	E.W.B.	T.C.	S.C.	K.W.	T.C.	S.C.	K.W.	T.C.	S.C.	K.W.	T.C.	S.C.	K.W.	T.C.	S.C.	K.W.	T.C.	S.C.	K.W.
525	80	62	22.1	16.5	1.34	21.0	16.3	1.47	19.7	16.2	1.61	18.3	15.7	1.76	16.78	16.45	1.92	15.27	14.97	2.09
	80	67	24.3	13.6	1.36	23.0	13.4	1.49	21.6	13.3	1.63	20.0	12.9	1.79	18.42	12.62	1.95	16.70	11.47	2.13
	80	72	26.7	10.7	1.40	25.3	10.5	1.52	23.8	10.6	1.67	22.1	10.2	1.83	20.28	9.80	2.00	18.43	9.82	2.18
	75	63	21.9	13.7	1.34	20.7	13.5	1.47	19.5	13.5	1.61	18.1	13.0	1.76	16.56	11.27	1.91	14.82	12.37	2.08
600	80	62	22.8	17.8	1.38	21.6	18.1	1.50	20.3	17.5	1.65	18.8	17.1	1.79	17.36	16.72	1.96	16.00	15.87	2.14
	80	67	24.9	14.5	1.40	23.6	14.8	1.53	22.2	14.4	1.67	20.5	14.1	1.82	18.79	13.87	1.99	17.02	13.61	2.17
	80	72	27.4	11.3	1.44	25.9	11.7	1.56	24.3	11.1	1.71	22.5	10.8	1.87	20.66	10.71	2.04	18.72	10.54	2.22
	75	63	22.6	14.8	1.37	21.4	15.1	1.50	20.0	14.5	1.64	18.5	14.1	1.79	16.93	13.82	1.95	15.26	13.47	2.12
675	80	62	23.4	19.3	1.41	22.2	19.3	1.54	20.8	18.7	1.68	19.4	18.3	1.83	18.04	17.43	2.00	16.58	16.51	2.19
	80	67	25.5	15.7	1.44	24.1	15.9	1.56	22.6	15.4	1.71	20.9	15.1	1.86	19.10	14.77	2.03	17.28	14.58	2.21
	80	72	27.9	12.1	1.47	26.4	12.2	1.60	24.7	11.7	1.75	22.9	11.5	1.90	20.91	11.24	2.07	18.92	11.15	2.26
	75	63	23.1	16.0	1.41	21.9	16.0	1.54	20.5	15.4	1.68	18.9	15.1	1.83	17.26	14.73	1.99	15.59	14.45	2.16

NS6BD-024K C7B(A,H)M01824(C,U)-B

O.D.T			65°F			75°F			85°F			95°F			105°F			115°F		
CFM	E.D.B.	E.W.B.	T.C.	S.C.	K.W.	T.C.	S.C.	K.W.	T.C.	S.C.	K.W.	T.C.	S.C.	K.W.	T.C.	S.C.	K.W.	T.C.	S.C.	K.W.
700	80	62	24.7	18.8	1.57	24.0	19.1	1.75	22.9	19.2	1.93	21.6	18.8	2.13	20.23	19.77	2.32	18.76	18.34	2.52
	80	67	27.4	15.7	1.61	26.3	15.6	1.79	25.1	15.7	1.97	23.8	15.3	2.15	22.27	14.97	2.35	20.66	13.63	2.56
	80	72	30.8	12.4	1.66	29.5	12.3	1.84	28.1	12.6	2.02	26.6	12.2	2.21	24.93	11.98	2.41	23.08	12.19	2.61
	75	63	25.1	15.2	1.58	24.2	15.0	1.75	23.1	15.1	1.93	21.8	14.7	2.13	20.33	13.15	2.32	18.73	14.21	2.52
800	80	62	25.7	20.8	1.62	24.7	21.2	1.80	23.5	20.7	1.98	22.3	20.4	2.17	20.95	20.15	2.37	19.71	19.54	2.58
	80	67	28.2	16.7	1.66	27.0	17.2	1.84	25.8	16.7	2.02	24.4	16.4	2.20	22.80	16.31	2.40	21.10	16.13	2.61
	80	72	31.5	13.1	1.70	30.2	13.7	1.89	28.7	13.2	2.08	27.0	13.0	2.26	25.00	13.04	2.45	23.16	12.95	2.66
	75	63	25.9	16.1	1.62	24.8	16.5	1.80	23.6	16.0	1.98	22.3	15.7	2.17	20.83	15.51	2.37	19.16	15.26	2.57
900	80	62	26.3	22.5	1.67	25.3	22.6	1.85	24.1	22.1	2.03	23.0	21.8	2.22	21.81	21.07	2.42	20.41	20.32	2.63
	80	67	28.8	17.9	1.70	27.6	18.1	1.88	26.3	17.6	2.07	24.8	17.5	2.25	23.21	17.20	2.45	21.46	17.12	2.65
	80	72	32.1	14.0	1.76	30.6	14.3	1.94	28.8	13.8	2.12	27.1	13.8	2.30	25.40	13.57	2.50	23.55	13.57	2.71
	75	63	26.4	17.2	1.67	25.4	17.4	1.85	24.1	16.8	2.03	22.7	16.7	2.22	21.19	16.34	2.41	19.50	16.16	2.61

NS6BD-030K C7B(A,H)M03036(C,U)-A

O.D.T			65°F			75°F			85°F			95°F			105°F			115°F		
CFM	E.D.B.	E.W.B.	T.C.	S.C.	K.W.	T.C.	S.C.	K.W.	T.C.	S.C.	K.W.	T.C.	S.C.	K.W.	T.C.	S.C.	K.W.	T.C.	S.C.	K.W.
875	80	62	27.8	22.7	1.81	27.6	22.9	2.04	26.7	23.1	2.24	25.5	22.7	2.44	23.98	23.57	2.65	22.53	22.15	2.87
	80	67	31.1	18.4	1.87	30.7	18.5	2.07	29.7	18.9	2.28	28.4	18.5	2.49	26.67	18.15	2.70	24.71	16.60	2.92
	80	72	35.6	14.6	1.94	34.9	14.7	2.15	33.7	15.2	2.36	32.1	14.9	2.57	30.26	14.60	2.78	28.01	14.85	3.01
	75	63	28.1	17.6	1.82	27.8	17.7	2.04	26.9	18.0	2.24	25.7	17.6	2.44	24.09	15.78	2.65	22.12	17.10	2.87
1000	80	62	28.8	24.6	1.87	28.5	25.4	2.09	27.6	25.0	2.30	26.4	24.8	2.50	25.20	24.35	2.72	23.62	23.42	2.94
	80	67	32.1	19.6	1.93	31.6	20.5	2.14	30.6	20.1	2.34	29.2	19.9	2.55	27.38	19.82	2.76	25.27	19.60	2.98
	80	72	36.5	15.4	2.01	35.8	16.4	2.22	34.6	16.0	2.43	32.9	15.9	2.63	30.69	15.95	2.84	28.16	15.84	3.06
	75	63	29.0	18.7	1.87	28.7	19.5	2.10	27.7	19.1	2.30	26.4	18.9	2.50	24.70	18.71	2.71	22.72	18.41	2.93
1125	80	62	29.7	26.7	1.94	29.3	27.2	2.15	28.7	26.6	2.36	27.6	26.2	2.57	26.19	25.31	2.79	24.53	24.42	3.01
	80	67	32.9	21.2	1.99	32.4	21.7	2.20	31.2	21.3	2.40	29.7	21.2	2.61	27.88	20.95	2.82	25.75	20.84	3.05
	80	72	37.3	16.6	2.08	36.5	17.2	2.29	35.0	16.8	2.49	33.0	16.8	2.69	31.00	16.64	2.90	28.68	16.64	3.12
	75	63	29.7	20.1	1.94	29.3	20.6	2.15	28.3	20.2	2.35	26.9	20.1	2.56	25.17	19.76	2.77	23.12	19.54	2.98

NS6BD-036K C7B(A,H)M03036(C,U)-B

O.D.T			65°F			75°F			85°F			95°F			105°F			115°F		
CFM	E.D.B.	E.W.B.	T.C.	S.C.	K.W.	T.C.	S.C.	K.W.	T.C.	S.C.	K.W.	T.C.	S.C.	K.W.	T.C.	S.C.	K.W.	T.C.	S.C.	K.W.
1050	80	62	35.7	27.1	2.19	34.4	27.9	2.50	32.9	28.0	2.82	31.2	27.5	3.15	29.29	28.70	3.50	27.57	27.01	3.86
	80	67	39.6	22.5	2.24	38.1	22.4	2.55	36.4	22.6	2.88	34.5	22.2	3.21	32.48	21.75	3.57	30.30	19.97	3.94
	80	72	44.0	17.7	2.31	42.3	17.6	2.63	40.5	18.0	2.96	38.4	17.6	3.31	36.28	17.26	3.67	33.86	17.62	4.08
	75	63	36.4	21.8	2.20	34.9	21.6	2.51	33.3	21.7	2.83	31.5	21.2	3.16	29.56	19.30	3.50	27.51	20.83	3.86
1200	80	62	36.9	30.3	2.26	35.5	30.9	2.57	33.8	30.3	2.89	32.2	29.9	3.23	30.69	29.61	3.58	28.98	28.74	3.96
	80	67	40.6	24.0	2.31	39.0	24.8	2.63	37.3	24.1	2.95	35.3	23.8	3.29	33.23	23.76	3.65	30.98	23.67	4.02
	80	72	45.1	18.6	2.39	43.3	19.5	2.71	41.4	18.9	3.04	39.3	18.7	3.39	37.02	18.81	3.76	34.47	18.84	4.17
	75	63	37.3	23.2	2.27	35.8	23.8	2.58	34.2	23.1	2.90	32.3	22.8	3.23	30.27	22.60	3.58	28.09	22.39	3.93
1350	80	62	37.8	32.8	2.33	36.3	33.1	2.64	34.9	32.3	2.97	33.5	31.8	3.31	31.85	30.77	3.67	30.05	29.92	4.05
	80	67	41.5	25.8	2.38	39.8	26.2	2.70	38.0	25.5	3.02	36.0	25.4	3.36	33.79	25.13	3.72	31.49	25.18	4.09
	80	72	46.0	20.0	2.46	44.1	20.4	2.79	42.1	19.8	3.12	39.9	19.8	3.47	37.52	19.69	3.84	34.90	19.87	4.25
	75	63	38.1	24.8	2.33	36.6	25.1	2.64	34.8	24.4	2.97	32.9	24.2	3.30	30.83	23.89	3.65	28.60	23.80	4.01

COOLING EXPANDED RATINGS

NS6BD-018KA B6BMM024K-A

O.D.T			65°F			75°F			85°F			95°F			105°F			115°F		
CFM	E.D.B.	E.W.B.	T.C.	S.C.	K.W.	T.C.	S.C.	K.W.	T.C.	S.C.	K.W.	T.C.	S.C.	K.W.	T.C.	S.C.	K.W.	T.C.	S.C.	K.W.
525	80	62	20.7	15.1	1.27	19.9	15.3	1.41	18.8	15.3	1.55	17.7	14.9	1.70	16.49	15.61	1.86	15.28	14.47	2.03
	80	67	22.7	12.6	1.27	21.7	12.5	1.41	20.4	12.5	1.56	19.1	12.1	1.71	17.80	11.80	1.88	16.43	10.98	2.06
	80	72	25.1	10.0	1.27	23.9	9.8	1.42	22.5	9.9	1.57	21.1	9.6	1.73	19.52	9.30	1.91	17.93	9.40	2.10
	75	62	20.6	12.8	1.27	19.7	12.6	1.40	18.6	12.6	1.54	17.4	12.2	1.70	16.24	10.95	1.85	15.01	11.81	2.02
600	80	62	21.4	16.6	1.30	20.4	16.9	1.43	19.3	16.4	1.57	18.1	16.1	1.73	16.89	15.88	1.89	15.75	15.56	2.07
	80	67	23.3	13.4	1.30	22.2	13.8	1.44	20.9	13.3	1.58	19.6	13.0	1.74	18.15	12.82	1.91	16.71	12.66	2.09
	80	72	25.7	10.5	1.30	24.4	10.9	1.44	23.0	10.4	1.60	21.4	10.2	1.76	19.78	10.12	1.94	18.08	10.04	2.13
	75	62	21.1	13.6	1.30	20.2	13.9	1.43	19.1	13.4	1.57	17.8	13.0	1.72	16.58	12.86	1.89	15.35	12.96	2.06
675	80	62	21.9	17.9	1.33	20.9	18.0	1.46	19.8	17.5	1.60	18.5	17.2	1.76	17.39	16.76	1.93	16.23	16.16	2.11
	80	67	23.8	14.4	1.32	22.6	14.5	1.46	21.3	14.0	1.61	19.9	13.8	1.77	18.38	13.50	1.94	16.92	13.72	2.12
	80	72	26.1	11.2	1.32	24.8	11.4	1.47	23.3	10.9	1.62	21.6	10.8	1.79	19.84	10.59	1.97	18.16	10.52	2.16
	75	62	21.6	14.5	1.32	20.6	14.6	1.46	19.4	14.1	1.60	18.2	13.9	1.75	16.88	13.91	1.92	15.55	13.77	2.09

NS6BD-024K B6BMM024K-A

O.D.T			65°F			75°F			85°F			95°F			105°F			115°F		
CFM	E.D.B.	E.W.B.	T.C.	S.C.	K.W.	T.C.	S.C.	K.W.	T.C.	S.C.	K.W.	T.C.	S.C.	K.W.	T.C.	S.C.	K.W.	T.C.	S.C.	K.W.
550	80	62	22.1	15.9	1.45	21.4	15.8	1.62	20.7	16.3	1.79	19.7	16.0	1.98	18.46	16.79	2.18	17.18	15.62	2.37
	80	67	24.7	13.5	1.48	23.8	13.4	1.66	22.8	13.6	1.83	21.7	13.3	2.01	20.44	13.01	2.20	19.08	11.78	2.41
	80	72	27.8	10.9	1.53	26.7	10.8	1.71	25.7	11.1	1.89	24.4	10.8	2.07	23.09	10.60	2.26	21.59	10.82	2.46
	75	63	22.5	13.0	1.45	21.7	13.0	1.63	20.9	13.1	1.80	19.9	12.8	1.98	18.60	11.52	2.18	17.27	12.41	2.38
700	80	62	23.6	18.6	1.51	22.8	19.0	1.68	22.0	18.6	1.85	20.8	18.4	2.04	19.63	18.25	2.23	18.32	18.04	2.44
	80	67	26.0	15.1	1.55	25.1	15.6	1.72	24.1	15.1	1.90	22.8	14.9	2.08	21.52	14.88	2.27	20.02	14.77	2.47
	80	72	29.3	11.9	1.60	28.2	12.5	1.78	26.9	12.1	1.96	25.5	12.0	2.14	23.99	12.02	2.34	22.26	12.04	2.53
	75	63	23.8	14.5	1.52	23.0	14.9	1.69	22.1	14.5	1.86	20.9	14.3	2.05	19.66	14.18	2.23	18.19	13.98	2.43
850	80	62	24.7	21.0	1.57	23.9	21.2	1.75	22.9	20.7	1.92	21.8	20.6	2.10	20.86	20.10	2.30	19.64	19.55	2.51
	80	67	27.1	16.8	1.61	26.1	17.0	1.78	24.9	16.5	1.96	23.6	16.4	2.14	22.21	16.24	2.33	20.65	16.21	2.53
	80	72	30.3	13.2	1.66	29.0	13.5	1.84	27.5	13.1	2.02	25.9	13.0	2.20	24.34	12.89	2.39	22.68	12.96	2.59
	75	63	24.8	16.1	1.57	23.9	16.3	1.75	22.9	15.8	1.92	21.7	15.7	2.10	20.32	15.46	2.29	18.82	15.80	2.49

NS6BD-030K B6BMM030K-A

O.D.T			65°F			75°F			85°F			95°F			105°F			115°F		
CFM	E.D.B.	E.W.B.	T.C.	S.C.	K.W.	T.C.	S.C.	K.W.	T.C.	S.C.	K.W.	T.C.	S.C.	K.W.	T.C.	S.C.	K.W.	T.C.	S.C.	K.W.
750	80	62	27.6	20.9	1.75	27.4	21.1	1.94	26.7	21.4	2.13	25.8	21.6	2.31	24.48	22.90	2.51	22.88	21.40	2.72
	80	67	31.1	17.6	1.83	30.7	17.8	2.03	29.8	18.1	2.21	28.5	17.8	2.40	27.04	17.59	2.60	25.34	16.05	2.80
	80	72	35.2	14.1	1.94	34.5	14.2	2.13	33.4	14.6	2.33	32.1	14.3	2.52	30.36	14.12	2.73	28.42	14.44	2.94
	75	63	28.2	16.9	1.76	27.9	17.1	1.95	27.2	17.4	2.14	26.1	17.1	2.32	24.74	15.72	2.52	23.11	16.92	2.73
900	80	62	29.1	23.9	1.84	28.8	24.7	2.03	28.0	24.4	2.22	26.9	24.2	2.40	25.53	24.17	2.60	24.15	23.95	2.81
	80	67	32.5	19.3	1.92	31.9	20.2	2.11	30.9	19.8	2.30	29.6	19.6	2.49	28.00	19.65	2.69	26.19	19.58	2.90
	80	72	36.9	15.2	2.04	36.1	16.1	2.23	34.8	15.7	2.43	33.2	15.6	2.62	31.35	15.72	2.82	29.25	15.76	3.04
	75	63	29.5	18.5	1.85	29.1	19.3	2.04	28.3	18.9	2.22	27.1	18.8	2.41	25.65	18.75	2.60	23.93	18.61	2.80
1050	80	62	30.3	26.5	1.92	29.9	27.0	2.11	29.0	26.7	2.30	28.0	26.5	2.49	26.85	25.94	2.70	25.37	25.27	2.92
	80	67	33.7	21.3	2.00	33.0	21.8	2.20	31.9	21.3	2.39	30.4	21.3	2.58	28.72	21.15	2.78	26.80	21.17	2.98
	80	72	38.1	16.6	2.12	37.2	17.2	2.32	35.7	16.8	2.51	34.0	16.8	2.71	31.99	16.74	2.91	29.58	16.88	3.11
	75	63	30.5	20.2	1.92	30.0	20.7	2.12	29.1	20.4	2.30	27.9	20.3	2.49	26.30	20.14	2.68	24.52	20.09	2.88

NS6BD-036K B6BMM042K-B

O.D.T			65°F			75°F			85°F			95°F			105°F			115°F		
CFM	E.D.B.	E.W.B.	T.C.	S.C.	K.W.	T.C.	S.C.	K.W.	T.C.	S.C.	K.W.	T.C.	S.C.	K.W.	T.C.	S.C.	K.W.	T.C.	S.C.	K.W.
1050	80	62	38.0	30.6	2.30	36.5	30.3	2.54	34.9	30.4	2.81	33.1	29.8	3.12	31.09	30.56	3.53	29.41	28.92	3.93
	80	67	41.1	24.9	2.33	39.4	24.8	2.58	37.5	25.0	2.86	35.4	24.4	3.21	33.43	24.03	3.56	31.41	22.75	3.95
	80	72	44.8	19.0	2.37	42.8	18.8	2.65	40.7	19.1	2.95	38.7	18.8	3.25	36.55	18.48	3.60	34.30	18.94	3.99
	75	63	38.3	24.2	2.30	36.8	24.1	2.54	35.1	24.2	2.81	33.2	23.6	3.14	31.13	21.64	3.53	29.16	23.26	3.92
1200	80	62	38.9	33.0	2.37	37.4	33.5	2.61	35.7	32.7	2.88	33.9	32.0	3.22	32.16	31.07	3.60	30.44	30.18	3.99
	80	67	41.9	26.7	2.40	40.1	27.4	2.65	38.1	26.7	2.94	36.0	26.3	3.27	34.00	26.33	3.62	31.86	26.28	4.01
	80	72	45.5	20.1	2.44	43.5	20.9	2.72	41.3	20.3	3.01	39.2	20.1	3.32	36.96	20.23	3.66	34.63	20.35	4.06
	75	63	39.1	25.9	2.37	37.5	26.5	2.61	35.7	25.8	2.88	33.7	25.4	3.21	31.64	25.23	3.59	29.61	25.10	3.98
1350	80	62	39.7	35.6	2.43	38.2	35.6	2.68	36.7	34.2	2.95	34.8	33.0	3.31	33.06	31.94	3.67	31.25	31.12	4.06
	80	67	42.5	28.9	2.46	40.6	29.1	2.71	38.6	28.4	3.01	36.5	28.2	3.34	34.38	27.99	3.69	32.22	28.06	4.07
	80	72	46.1	21.6	2.51	43.9	22.0	2.79	41.6	21.4	3.07	39.5	21.4	3.38	37.18	21.32	3.72	34.69	21.53	4.12
	75	63	39.7	27.9	2.43	38.0	28.1	2.67	36.2	27.4	2.95	34.1	27.1	3.29	32.02	26.75	3.66	29.95	26.73	4.05



GENERAL TERMS OF LIMITED WARRANTY

NORDYNE will furnish a replacement for any part of this product which fails in normal use and service within the first year of installation, in accordance with the terms of the warranty.

For complete details of the Limited Warranty, including applicable terms and conditions, see your local installer or contact the NORDYNE warranty department for a copy.

NORDYNE

COMPLETE COMFORT. GENUINE VALUE.

8000 Phoenix Parkway | O'Fallon, MO 63368-3827

Specifications and illustrations subject to change without notice and without incurring obligations. Printed in U.S.A (02/2013)

829D-0213 (Replaces 829D-1012)