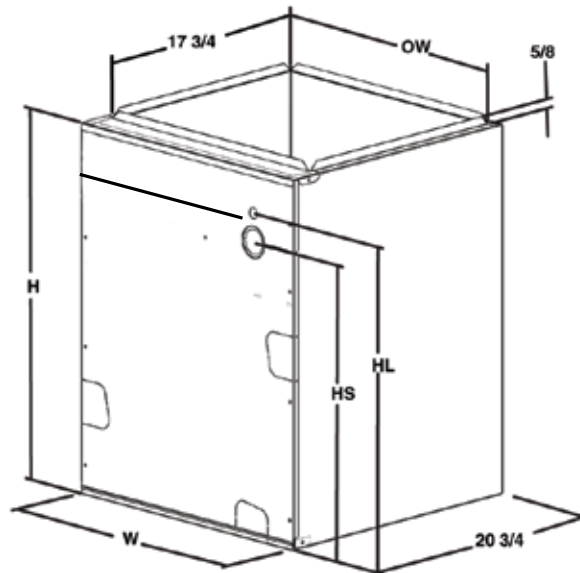
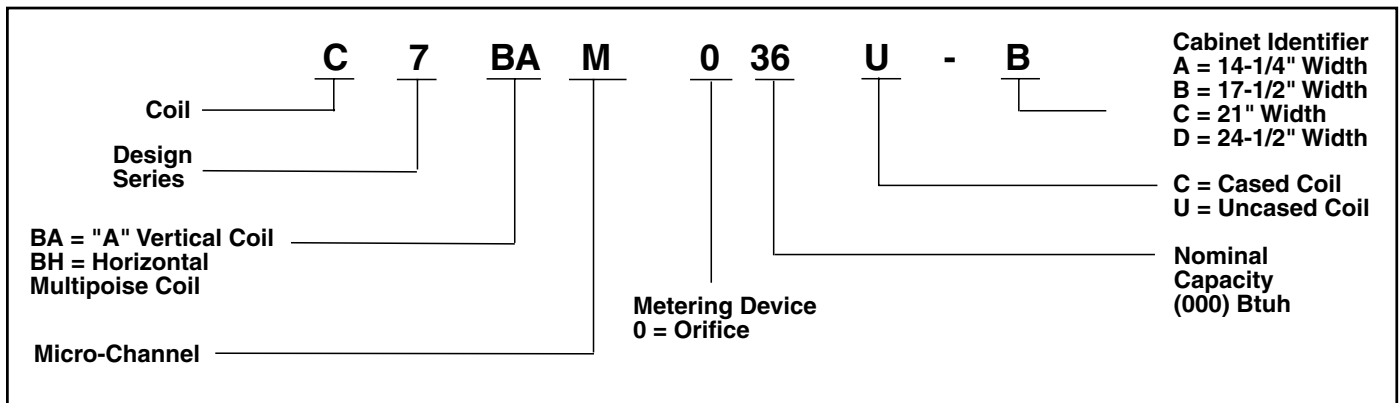


TECHNICAL SPECIFICATIONS

C7 Indoor Coils

MODEL IDENTIFICATION CODE



Cased Coil Wrapper

C7 CASED COIL WRAPPERS

SKU	Cabinet Identifier	Overall Width	Overall Height	Liquid Line Height	Suction Line Height	Opening Width
		W	H	HL	HS	OW
920256	A	14 1/4"	20 3/4"	17 1/2"	15 1/2"	12 7/8"
920257	A	14 1/4"	26 3/4"	23 1/2"	21 1/2"	12 7/8"
920258	B	17 1/2"	20 3/4"	17 1/2"	15 1/2"	16 1/8"
920259	B	17 1/2"	26 3/4"	23 1/2"	21 1/2"	16 1/8"
920260	C	21"	26 3/4"	23 1/2"	21 1/2"	19 5/8"
920261	C	21"	30 1/4"	27"	25"	19 5/8"
920262	D	24 1/2"	30 1/4"	27"	25"	23 1/8"

C7 UNCASED COIL DATA

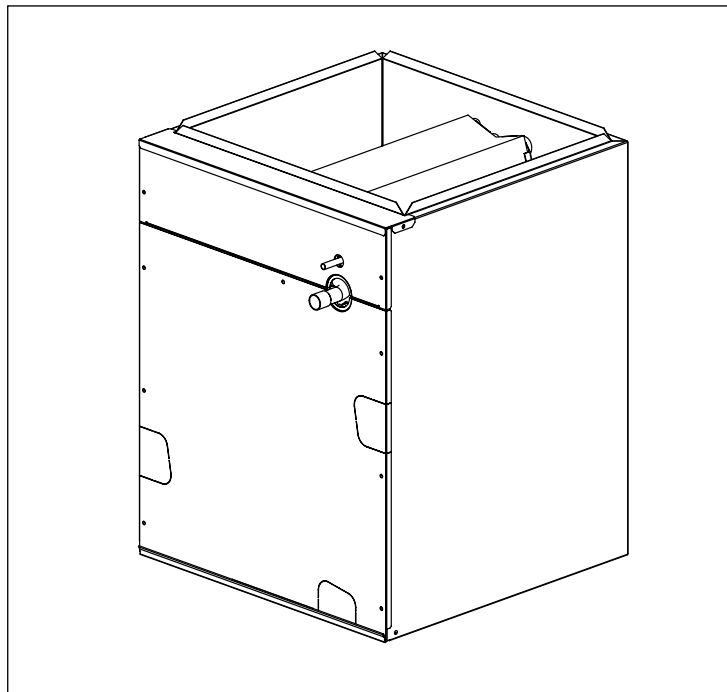
C7 UNCASED	1824-A	3036-A	1824-B	3036-B	3642-B	30-C	3648-C	4860-C	42-D	4860-D
Face Area (ft ²)	3.43	3.43	3.43	3.43	4.87	3.43	4.87	5.82	4.87	5.82
Fins per inch	20	18	20	20	20	20	20	20	20	20
W - Width (in.)	12-3/4	12-3/4	16	16	16	19-1/2	19-1/2	19-1/2	23	23
H - Height (in.)	18-1/2	18-1/2	18	18	25	18	24-1/2	28-1/2	23-3/4	27-3/4
HL - Height of Liquid Line (in.)	17-1/2	17-1/2	17-1/2	17-1/2	23-1/2	23-1/2	23-1/2	27	27	27
HS - Height of Suction Line (in.)	15-1/2	15-1/2	15-1/2	15-1/2	21-1/2	21-1/2	21-1/2	25	25	25
Connection - Liquid Line	3/8	3/8	3/8	3/8	3/8	3/8	3/8	3/8	3/8	3/8
Connection - Suction Line	3/4	3/4	3/4	3/4	7/8	3/4	7/8	7/8	7/8	7/8
Horizontal Drain Kit	920265	920265	920265	920265	920266	920266	920266	920267	920267	920267
Metering Orifice Size (in.)	0.048	0.061	0.055	0.067	0.071	0.061	0.067	0.077	0.071	0.087
Nominal Airflow (CFM) (Lower Tonnage)	600	1,000	550	1,000	1,300	960	1,250	1,300	1,300	1,300
Nominal Airflow (CFM) (Higher Tonnage)	700	1,200	750	1,200	1,300		1,400	1,700		1,700
Pressure Drop at nom airflow (in. wc) (Lower Tonnage)	0.12	0.26	0.09	0.26	0.25	0.26	0.24	0.31	0.30	0.31
Pressure Drop at nom airflow (in. wc) (Higher Tonnage)	0.17	0.27	0.15	0.27	0.27		0.29	0.30		0.30

C7 CASED COIL DATA

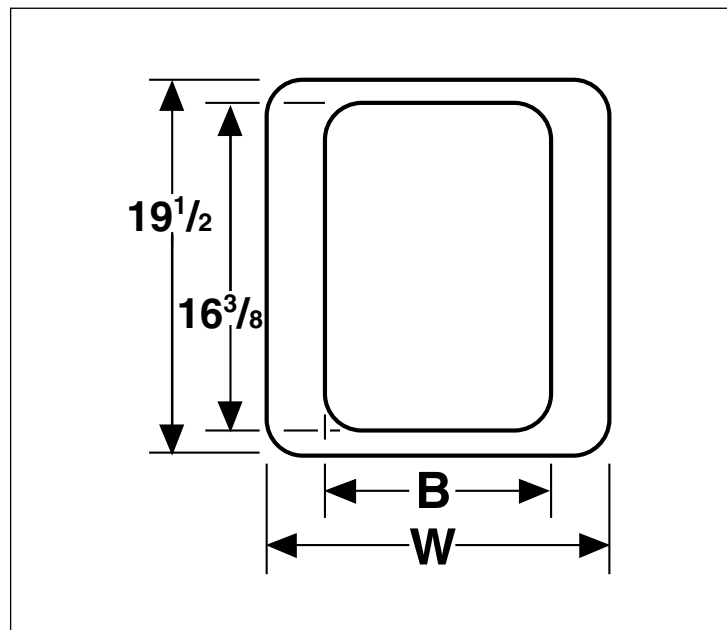
C7 CASED	1824-A	3036-A	1824-B	3036-B	3642-B	30-C	3648-C	4860-C	42-D	4860-D
Face Area (ft ²)	3.43	3.43	3.43	3.43	4.87	3.43	4.87	5.82	4.87	5.82
Fins per inch	20	18	20	20	20	20	20	20	20	20
W - Width (in.)	14-1/2	14-1/2	17-1/2	17-1/2	17-1/2	21	21	21	24-1/2	24-1/2
H - Height (in.)	20-3/4	20-3/4	20-3/4	20-3/4	26-3/4	26-3/4	26-3/4	30-1/4	30-1/4	30-1/4
HL - Height of Liquid Line (in.)	17-1/2	17-1/2	17-1/2	17-1/2	23-1/2	23-1/2	23-1/2	27	27	27
HS - Height of Suction Line (in.)	15-1/2	15-1/2	15-1/2	15-1/2	21-1/2	21-1/2	21-1/2	25	25	25
Connection - Liquid Line	3/8	3/8	3/8	3/8	3/8	3/8	3/8	3/8	3/8	3/8
Connection - Suction Line	3/4	3/4	3/4	3/4	7/8	3/4	7/8	7/8	7/8	7/8
Horizontal Drain Kit	920265	920265	920265	920265	920266	920266	920266	920267	920267	920267
Metering Orifice Size (in.)	0.048	0.061	0.055	0.067	0.071	0.061	0.067	0.077	0.071	0.087
Nominal Airflow (CFM) (Lower Tonnage)	600	1,000	550	1,000	1,300	960	1,250	1,300	1,300	1,300
Nominal Airflow (CFM) (Higher Tonnage)	700	1,200	750	1,200	1,300		1,400	1,700		1,700
Pressure Drop at nom airflow (in. wc) (Lower Tonnage)	0.12	0.26	0.09	0.26	0.25	0.26	0.24	0.31	0.30	0.31
Pressure Drop at nom airflow (in. wc) (Higher Tonnage)	0.17	0.27	0.15	0.27	0.27		0.29	0.30		0.30

C7 HORIZONTAL COIL DATA

C7 HORIZONTAL	1824-A	3036-A	1824-B	3036-B	3642-B	30-C	3648-C	4860-C	42-D	4860-D
Face Area (ft ²)	3.43	3.43	3.43	3.43	4.87	3.43	4.87	5.82	4.87	5.82
Fins per inch	20	18	20	20	20	20	20	20	20	20
W - Width (in.)	14-1/2	14-1/2	17-1/2	17-1/2	17-1/2	21	21	21	24-1/2	24-1/2
H - Height (in.)	26-3/4	26-3/4	26-3/4	26-3/4	26-3/4	26-3/4	26-3/4	30-1/4	30-1/4	30-1/4
HL - Height of Liquid Line (in.)	23-1/2	23-1/2	23-1/2	23-1/2	23-1/2	23-1/2	23-1/2	27	27	27
HS - Height of Suction Line (in.)	21-1/2	21-1/2	21-1/2	21-1/2	21-1/2	21-1/2	21-1/2	25	25	25
Connection - Liquid Line	3/8	3/8	3/8	3/8	3/8	3/8	3/8	3/8	3/8	3/8
Connection - Suction Line	3/4	3/4	3/4	3/4	7/8	3/4	7/8	7/8	7/8	7/8
Horizontal Drain Kit	N/A	N/A	N/A	N/A	N/A	N/A	N/A	N/A	N/A	N/A
Metering Orifice Size (in.)	0.048	0.061	0.055	0.067	0.071	0.061	0.067	0.077	0.071	0.087
Nominal Airflow (CFM) (Lower Tonnage)	600	1,000	550	1,000	1,300	960	1,250	1,300	1,300	1,300
Nominal Airflow (CFM) (Higher Tonnage)	700	1,200	750	1,200	1,300		1,400	1,700		1,700
Pressure Drop at nom airflow (in. wc) (Lower Tonnage)	0.12	0.26	0.09	0.26	0.25	0.26	0.24	0.31	0.30	0.31
Pressure Drop at nom airflow (in. wc) (Higher Tonnage)	0.17	0.27	0.15	0.27	0.27		0.29	0.30		0.30



Cased Coil



Drain Pan—Bottom View

DRAIN PAN DIMENSIONS

Dimension	A Cabinet	B Cabinet	C Cabinet	D Cabinet
W	12 3/4	16	19 1/2	23
B	6 5/8	9 7/8	12 3/8	16 7/8



NORDYNE

COMPLETE COMFORT. GENUINE VALUE. 8000 Phoenix Parkway | O'Fallon, MO 63368-3827

Specifications and illustrations subject to change without notice and without incurring obligations. Printed in U.S.A (01/2012)

855D-0112