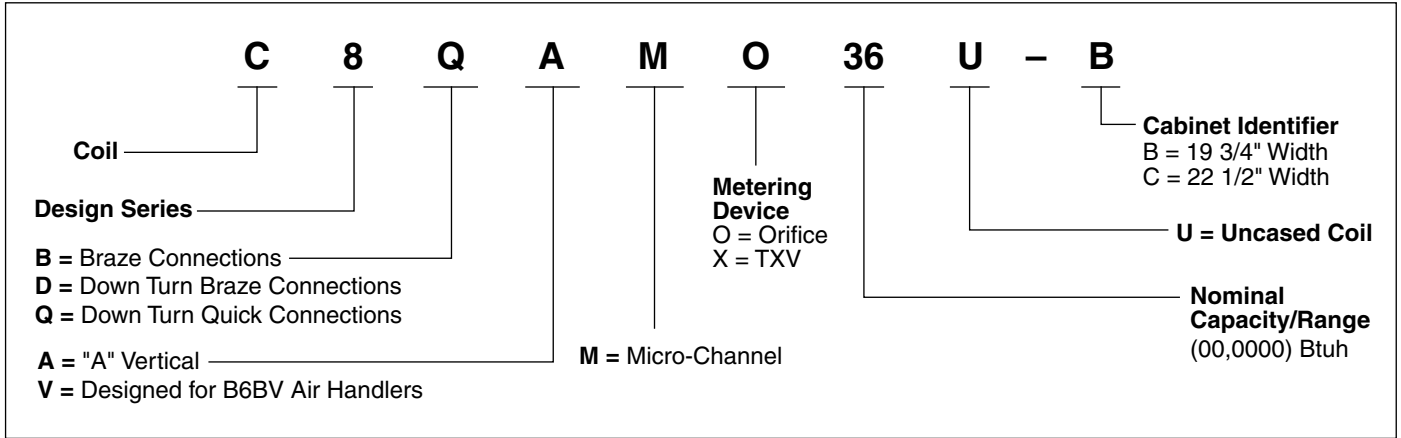


**TECHNICAL
SPECIFICATIONS**

C8 Manufactured Housing Indoor Coils

MODEL IDENTIFICATION CODE



Drain Pan—Bottom View

| Dimension | "B" Cabinet 24-49 | "C" Cabinet 42-48 |
|-----------|----------------------|----------------------|
| W | 18 1/8" | 21" |
| B | 10 5/8" | 13 1/2" |

See Figure 1.

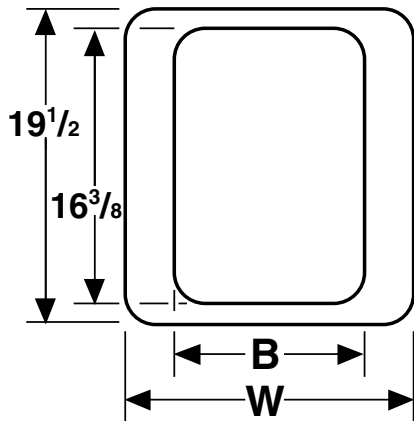
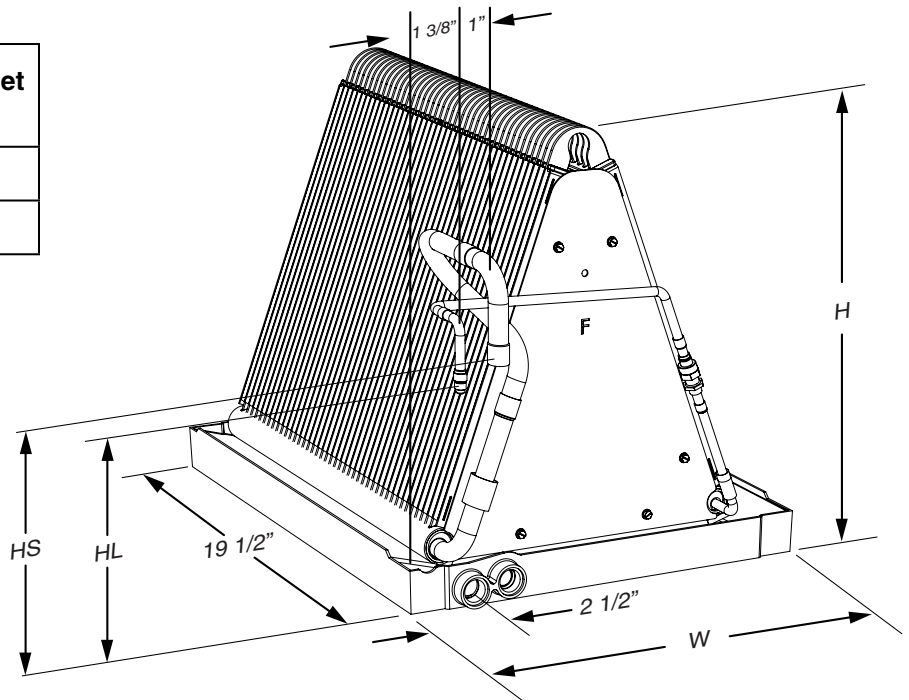


Figure 1. Drain Pan Dimensions



TXV Kits

| | |
|---------|-------------|
| 920662A | R-22 2.0T |
| 920663A | R-22 2.5T |
| 920664A | R-22 3.0T |
| 920665A | R-22 3.5T |
| 920666A | R-22 4.0T |
| 920667A | R-22 5.0T |
| 920668A | R-410a 2.0T |
| 920669A | R-410a 2.5T |
| 920670A | R-410a 3.0T |
| 920671A | R-410a 3.5T |
| 920672A | R-410a 4.0T |
| 920673A | R-410a 5.0T |

Tube Kits

| | |
|--------|--------------------|
| 921733 | Kit, REPL Tube B18 |
| 921734 | Kit, REPL Tube B24 |

COIL DATA TABLE

| Coil Model C8(B,D)A | X24-B | X30-B | 01830-B | (0,X)36-B | X(42,48)U-B | X49U-B |
|--|--------|--------|---------|------------|-------------|--------|
| Face Area (ft ²) | 3.43 | 3.43 | 3.43 | 3.43 | 5.58 | 6.42 |
| Fins per inch | 20 | 20 | 20 | 18 | 20 | 18 |
| W - Width (in.) | 18-1/8 | 18-1/8 | 18-1/8 | 18-1/8 | 18 1/8 | 18 1/8 |
| H - Height (in.) | 18 | 18 | 18 | 18 | 25 | 29 |
| HL - Height of Liquid Line (in.) | 12-1/8 | 12-1/8 | 12-1/8 | 12-1/8 | 12 1/8 | 12 1/8 |
| HS - Height of Suction Line (in.) | 14-1/2 | 14-1/2 | 14-1/2 | 14-1/2 | 14 1/2 | 14 1/2 |
| Connection - Liquid Line | 3/8 | 3/8 | 3/8 | 3/8 | 3/8 | 3/8 |
| Connection - Suction Line | 3/4 | 3/4 | 3/4 | 3/4 | 7/8 | 7/8 |
| Metering Orifice Size (in.) | TXV | TXV | 0.061 | 0.067, TXV | TXV | TXV |
| Nominal Airflow (CFM) (Lower Tonnage) | 600 | 1000 | 600 | 1,200 | 1400 | 1600 |
| Nominal Airflow (CFM) (Higher Tonnage) | 880 | 1000 | 1000 | | 1600 | |
| Pressure Drop at nom airflow (in. wc) (Lower Tonnage) | 0.09 | 0.26 | 0.09 | 0.27 | 0.28 | 0.30 |
| Pressure Drop at nom airflow (in. wc) (Higher Tonnage) | 0.17 | 0.26 | 0.26 | | | |

| Coil Model C8QA | (0,X)24-B | (0,X)30-B | (0,X)36-B | X(42,48)U-B | X49U-B |
|---------------------------------------|------------|------------|------------|-------------|--------|
| Face Area (ft ²) | 3.43 | 3.43 | 3.43 | 5.58 | 6.42 |
| Fins per inch | 20 | 20 | 18 | 20 | 18 |
| W - Width (in.) | 18-1/8 | 18-1/8 | 18-1/8 | 18 1/8 | 18 1/8 |
| H - Height (in.) | 18 | 18 | 18 | 25 | 29 |
| HL - Height of Liquid Line (in.) | 12-1/8 | 12-1/8 | 12-1/8 | 12 1/8 | 12 1/8 |
| HS - Height of Suction Line (in.) | 14-1/2 | 14-1/2 | 14-1/2 | 14 1/2 | 14 1/2 |
| Connection - Liquid Line | 3/8 | 3/8 | 3/8 | 3/8 | 3/8 |
| Connection - Suction Line | 3/4 | 3/4 | 3/4 | 7/8 | 7/8 |
| Metering Orifice Size (in.) | 0.055, TXV | 0.061, TXV | 0.067, TXV | TXV | TXV |
| Nominal Airflow (CFM) | 800 | 1000 | 1,200 | 1600 | 1600 |
| Pressure Drop at nom airflow (in. wc) | 0.17 | 0.26 | 0.27 | 0.28 | 0.30 |

| | C8BV | | | C8DV | | | C8QV | | |
|-----------------------------------|--------|--------|--------|--------|--------|--------|--------|--------|--------|
| | X36-B | X42-C | X48-C | X36-B | X42-C | X48-C | X36-B | X42-C | X48-C |
| Face Area (ft ²) | 3.43 | 5.58 | 6.42 | 3.43 | 5.58 | 6.42 | 3.43 | 5.58 | 6.42 |
| Fins per inch | 18 | 20 | 18 | 18 | 20 | 18 | 18 | 20 | 18 |
| W - Width (in.) | 18 1/8 | 21 | 21 | 18 1/8 | 21 | 21 | 18 1/8 | 21 | 21 |
| H - Height (in.) | 19 | 25 | 28 3/4 | 19 | 25 | 28 3/4 | 19 | 25 | 28 3/4 |
| HL - Height of Liquid Line (in.) | 13 | 13 | 13 | 10 3/4 | 10 3/4 | 10 3/4 | 10 3/4 | 10 3/4 | 10 3/4 |
| HS - Height of Suction Line (in.) | 15 1/4 | 15 1/4 | 15 1/4 | 11 5/8 | 11 7/8 | 11 7/8 | 12 1/8 | 12 1/8 | 12 1/8 |
| Connection - Liquid Line | 3/8 | 3/8 | 3/8 | 3/8 | 3/8 | 3/8 | 3/8 | 3/8 | 3/8 |
| Connection - Suction Line | 3/4 | 7/8 | 7/8 | 3/4 | 7/8 | 7/8 | 3/4 | 7/8 | 7/8 |
| Metering Device | TXV | TXV | TXV | TXV | TXV | TXV | TXV | TXV | TXV |
| Nominal Airflow (CFM) | 800 | 1000 | 1200 | 800 | 1000 | 1200 | 800 | 1000 | 1200 |



GENERAL TERMS OF LIMITED WARRANTY

Nortek Global HVAC, LLC will furnish a replacement for any part of this product which fails in normal use and service within the terms and conditions of the warranty.

For complete details of the Limited Warranty, including applicable terms and conditions, see your local installer or contact the Nortek Global HVAC, LLC warranty department for a copy.

Before purchasing this appliance, read important energy cost and efficiency information available from your retailer. Specifications and illustrations subject to change without notice and without incurring obligations. Printed in U.S.A (11/2017)