

## TECHNICAL SPECIFICATIONS

### Q7RD Series

#### Single Packaged Heat Pump, Single Phase

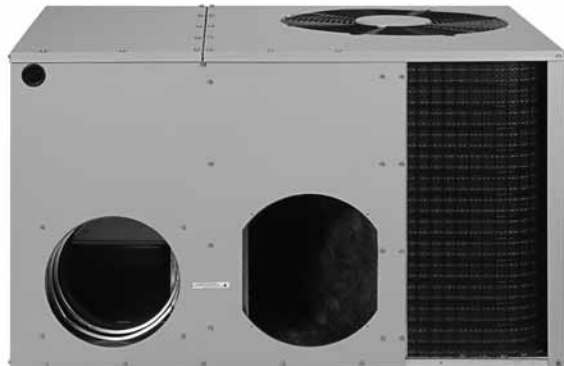
13 SEER, R-410A

2 thru 5 Ton Units

Cooling: 24,000 to 46,000 Btuh

Heating: 24,000 to 44,000 Btuh

The Q7 Series single packaged heat pumps are high efficiency self contained cooling and heating units that can be installed on a slab. Units are ETL and ETLc listed.



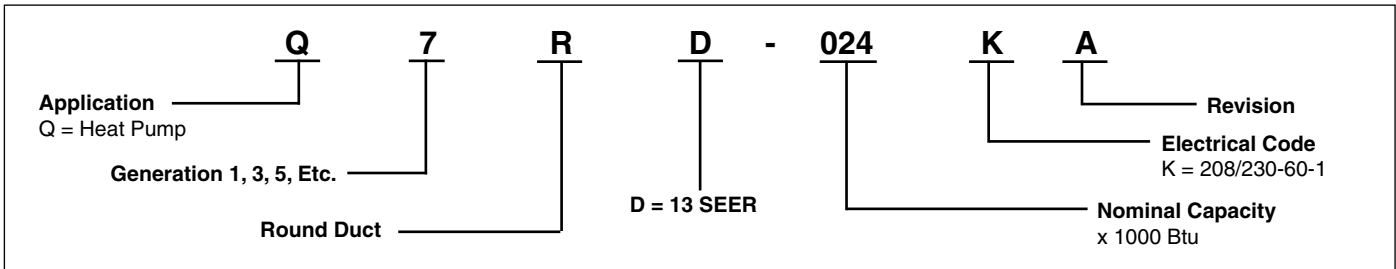
### WARRANTY

- This product offers a 10-year All-Parts Warranty.
- This product offers a 10 year Quality Pledge to replace the entire unit, if the unit's major component (compressor) fails within the first 10 years of operation, to the original owner.
- Consumer product registration required for both 10 year All Parts Warranty and Quality Pledge within a limited period of time after the installation. See current warranty document or visit our consumer web site listed on the back of this document for warranty details.

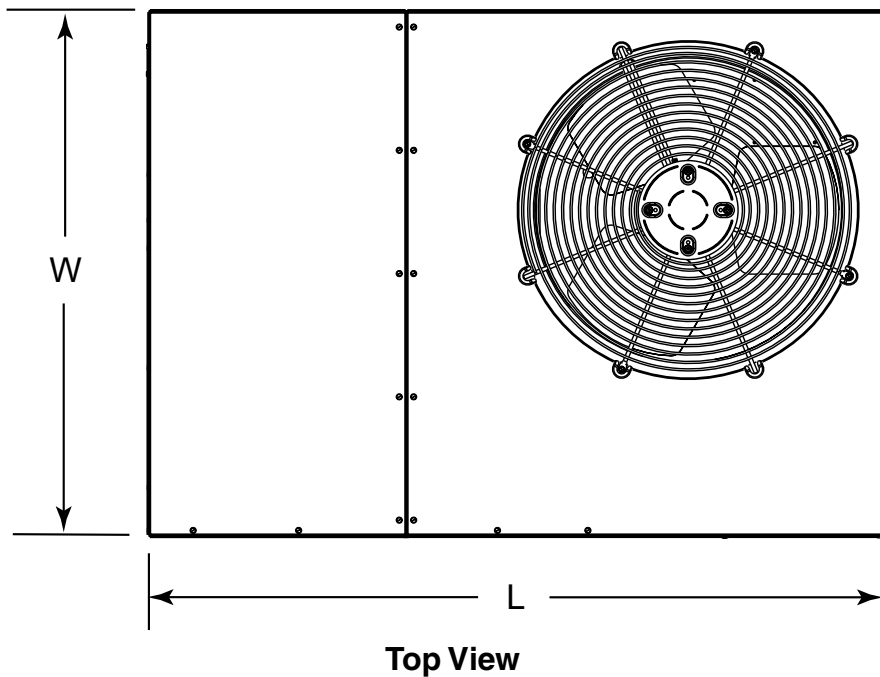
### FEATURES and BENEFITS

- **Quality Compressor:** State of the art compressor is standard equipment.
- **R-410A Refrigerant:** Earth friendly non-ozone depleting refrigerant.
- **Hi/Low Pressure Switches:** Ensure long compressor life.
- **Copper Tube / Aluminum Fin Coils:** Outdoor coils are designed to optimize heat transfer, minimize size and cost, and increase durability and reliability.
- **Micro-Channel Coils:** indoor coils are all aluminum which provides high corrosion resistance.
- **Designed using Galvanized Steel:** with a polyester urethane coat finish. The 950 hour salt spray finish is 1.5 mil thick and resists corrosion 50% better than comparable units.
- **Compact Footprint and Profile:** make the Q7 Series easy to install and transport.
- **0" Clearance:** to combustibles on duct side of the unit allows for installations in tight areas.
- **Wire guard coated with Earth Friendly Epoxy and plastic mesh hail guard:** A guard that will never rust and protects the units coil from being damaged.
- **Raised Base Pan:** allows water to drain away from away from the unit.
- **Easy Compressor and Control Access:** Designed to make servicing easier for the contractor, access panels are provided to all controls and the compressor from the side of the unit.
- **Easy access:** to the evaporator coil for cleaning and general maintenance.
- **Removable Top Grille Assembly:** Allows ease of service to the fan motor.
- **Time/Temperature Defrost:** a reliable, industry standard control offers various time settings to meet any type climate.
- **Five Minute Restart Time Delay:** when the units shuts down, a five minute delay keeps the unit from restarting, eliminating the highest cause of compressor failure.
- **Liquid Line Filter Driers:** Factory installed at a convenient location for service.
- **Accessible Service Valves:** simplify servicing of the refrigeration system.
- **Suction Accumulator:** provides protection from liquid flood back and future compressor failures.
- **Permanently Lubricated Condenser Motor:** A heavy duty PSC motor for long lasting reliability and quiet operation. Requires no maintenance and is completely protected from rain and snow.
- **Low voltage Transformer:** Includes 3 Amp fuse to protect low voltage circuit.
- **Drain Trap Included:** design optimizes drainage capabilities.
- **Duct Collars:** reduce installation costs.
- **Outdoor thermostat:** is standard equipment.
- **Optional Electric Heat:** Field installed 5 – 20 KW.

# MODEL IDENTIFICATION CODE

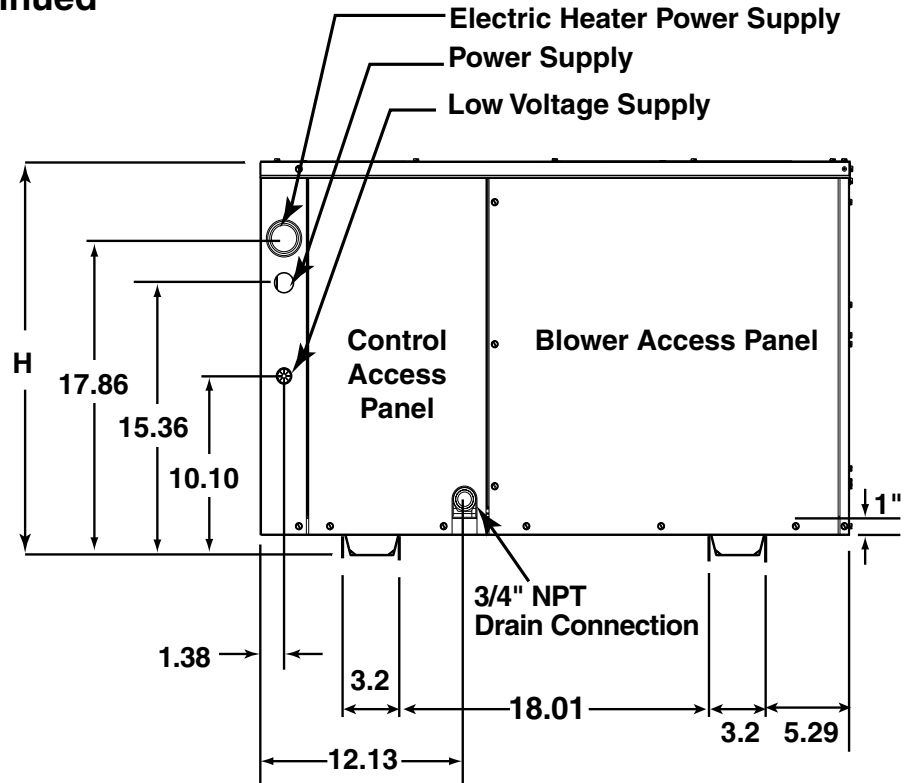


## DIMENSIONS



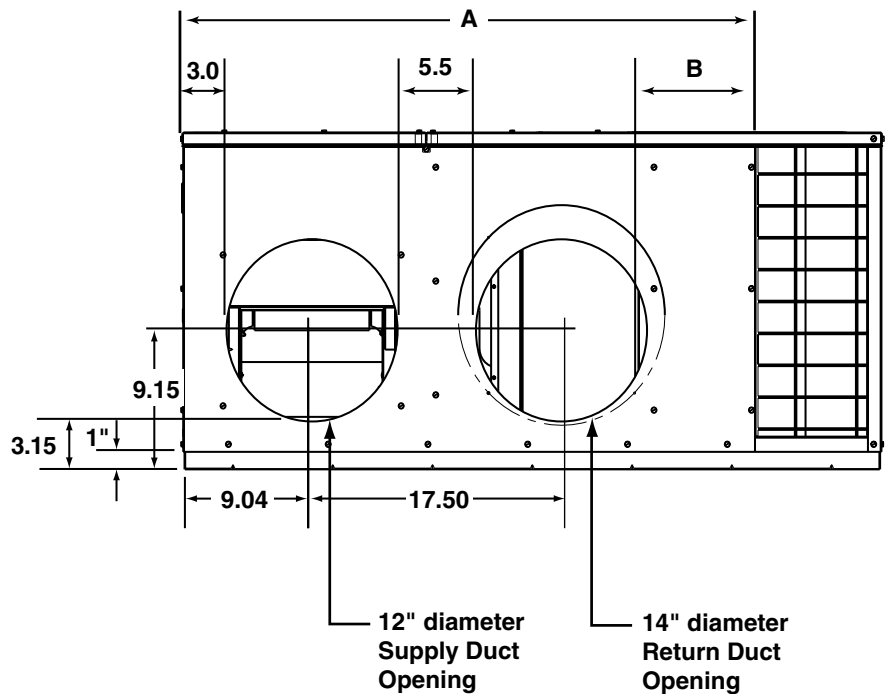
Model Number	(L) Length	(W) Width	(H) Height	A	B
Q7RD-024K	49	35	30.2	40.15	7.61
030K	49	35	30.2	40.15	7.61
036K	49	35	30.2	35.02	2.48
042K	49	35	30.2	35.02	2.48
048K	49	35	34.2	35.02	2.48

# DIMENSIONS Continued



Side View

Model Number Q7RD-	Return Diameter (in)
024K	14
030K	14
036K	14
042K	14
048K	14



Back (Duct) View

# PHYSICAL SPECIFICATIONS

## Q7RD Models

Model No. Q7RD-	024K	030K	036K	042K	048K
<b>System Heating and Cooling Capacities</b>					
Cooling Btuh	24,000	29,000	34,600	40,500	46,000
SEER	13	13	13	13	13
EER	11.0	11.0	11.0	11.0	11.0
Heating Btuh	23,800	28,600	34,400	40,500	44,000
HSPF	7.7	7.7	7.7	7.7	7.7
<b>Electric Rating — 60 Hz (a)</b>					
Operating Voltage Range	187 - 253	187 - 253	187 - 253	187 - 253	187 - 253
Min. Circuit Ampacity (a)	16.9	17.5	23.7	29.3	34.2
Field Wire Size — AWG (a)	12	12	10	8	8
Delay Fuse — Max. (b)	25	25	35	45	50
Total Unit — AMPS	14.5	15.0	19.9	24.8	28.7
<b>Compressor</b>					
Volts	208 - 230	208 - 230	208 - 230	208 - 230	208 - 230
Rated Load Amps	9.6	10.1	15.0	17.9	21.8
Lock Rotor Amps	60.5	60.0	88	112	117
<b>Condenser Motor</b>					
Fan Motor — HP - RPM	1/8 - 1100	1/8 - 1100	1/4 - 1100	1/4 - 1100	1/4 - 1100
Fan Motor — Amps	1.1	1.1	1.5	1.5	1.5
Fan Dia. — CFM	20" - 2800	20 - 2800	20" - 2800	20" - 3000	20" - 3000
<b>Evaporator Motor</b>					
Blower Motor — HP - ECM	1/2	1/2	1/2	3/4	3/4
Blower Motor — Amps	3.8	3.8	3.8	5.4	5.4
<b>Refrigerant (R410-A) — Oz.</b>					
	144	138	144	141	174
<b>Shipping Weight -- Lbs.</b>					
	295	306	308	308	355
<b>Sound Ratings</b>					
	77	77	77	78	79

- (a) Amperage and wire size based on refrigeration system only with 60° C wire, 50 ft. length. See Electrical Data tables for supplemental electric heaters. Refer to National Electric Code for additional derating factors for field installed conductors.
- (b) Use time delay fuse or "HACR" type circuit breaker.

## ACCESSORIES

Description	Part Number
4-Pole single circuit adaptor	913350
6-Pole single circuit adaptor	913556
Circuit Breaker Single Phase (2-pole)	913554
Extreme high Wind Kit - Ground Mount	903694
Duct Adapter, 12" Round	913811A
Duct adapter, 14" Round	913812A

COPPER WIRE SIZE — AWG (1% Voltage Drop)				
Supply Wire Length-Feet				Supply Circuit Ampacity
200	150	100	50	
6	8	10	14	15
4	6	8	12	20
4	6	8	10	25
4	4	6	10	30
3	4	6	8	35
3	4	6	8	40
2	3	4	6	45
2	3	4	6	50

Wire Size based on N.E.C. for 60° type copper conductors.

## AIR FLOW DATA

Model Number	Motor Tap	External Static Pressure Drop (in WC)							
		0.1	0.2	0.3	0.4	0.5	0.6	0.7	0.8
024K	T1*	888	843	800	744	689	640	573	522
	T2	1139	1101	1060	1017	964	919	865	811
	T3**	1279	1235	1197	1162	1115	1073	1021	977
	T4	1385	1347	1313	1275	1234	1196	1153	1106
	T5	1567	1531	1500	1467	1427	1394	1362	1325
030K	T1	888	843	800	744	689	640	573	522
	T2*	1139	1101	1060	1017	964	919	865	811
	T3**	1279	1235	1197	1162	1115	1073	1021	977
	T4	1385	1347	1313	1275	1234	1196	1153	1106
	T5	1567	1531	1500	1467	1427	1394	1362	1325
036K	T1	1139	1101	1060	1017	964	919	865	811
	T2	1279	1235	1197	1162	1115	1073	1021	977
	T3*	1399	1353	1324	1281	1247	1211	1167	1115
	T4**	1474	1430	1392	1360	1318	1289	1247	1197
	T5	1623	1585	1529	1519	1460	1447	1407	1364
042K	T1	1326	1290	1251	1204	1167	1116	1083	1024
	T2**	1430	1383	1345	1305	1257	1211	1174	1114
	T3*	1562	1521	1479	1447	1400	1359	1311	1265
	T4	1658	1598	1578	1537	1487	1458	1413	1368
	T5	1774	1728	1684	1647	1617	1594	1552	1509
048K	T1**	1430	1383	1345	1305	1257	1211	1174	1114
	T2	1562	1521	1479	1447	1400	1359	1311	1265
	T3*	1658	1598	1578	1537	1487	1458	1413	1368
	T4	1774	1728	1684	1647	1617	1594	1552	1509
	T5	1951	1908	1883	1851	1823	1786	1750	1717

**NOTES:**

\* Denotes Air Flow Setting for cooling & heating

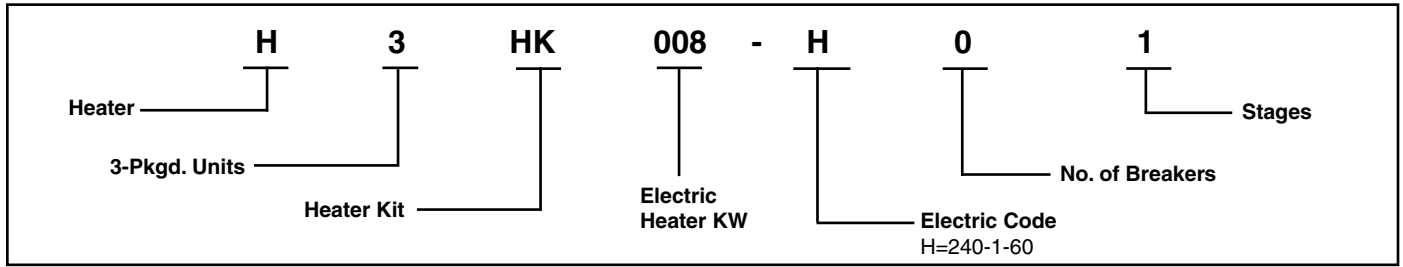
\*\* Denotes Air Flow setting for electric heating (10 KW)

Airflow performance is with a dry coil.

# ELECTRIC HEAT SELECTION

Model Number	Heater kW	MCA	MOP	Circuit A (Compressor, Blower & Fan)		Circuit B (Heater Only)		Circuit C (Heater Only)	
				MCA	MOP	MCA	MOP	MCA	MOP
Q7RD-024K	0	16.9	25	-	-	-	-	-	-
	5	41.9	45	-	-	-	-	-	-
	8	56.5	60	16.7	25	39.6	40	-	-
	10	66.9	70	16.7	25	50	60	-	-
Q7RD-030K	0	17.5	25	-	-	-	-	-	-
	5	42.5	45	-	-	-	-	-	-
	8	57.1	60	17.3	25	39.6	40	-	-
	10	67.5	70	17.3	25	50	60	-	-
	15	92.5	100	42.3	45	50	60	-	-
Q7RD-036K	0	23.7	35	-	-	-	-	-	-
	5	48.7	50	-	-	-	-	-	-
	8	63.2	70	23.5	35	39.6	40	-	-
	10	73.7	80	23.5	35	50	60	-	-
	15	98.7	100	48.5	50	50	60	-	-
Q7RD-042K	0	29.3	45	-	-	-	-	-	-
	5	54.3	60	-	-	-	-	-	-
	8	68.9	70	31.5	50	39.6	40	-	-
	10	79.3	80	31.5	50	50	60	-	-
	15	104.3	110	56.5	70	50	60	-	-
	20	129.3	150	-	-	-	-	-	-
	20 (3 circuit)	-	-	31.5	50	50.0	60	50	60
Q7RD-048K	0	34.2	50	-	-	-	-	-	-
	5	59.2	70	-	-	-	-	-	-
	8	73.7	80	36.9	60	39.6	40	-	-
	10	84.2	90	36.9	60	50	60	-	-
	15	109.2	110	61.9	80	50	60	-	-
	20	134.2	150	-	-	-	-	-	-
	20 (3 circuit)	-	-	36.9	60	50	60	50	60

# MODEL IDENTIFICATION CODE



Q7RD Heater Kit Application Matrix				
Tonnage	Nominal kW	Heater Kit Model	Heater Kit Part Number	Breakers
024K	5	H3HK005H-01B	917166B	None
	8	H3HK008H-01B	917167B	None
	10	H3HK010H-01B	917168B	2
030K	5	H3HK005H-01B	917166B	None
	8	H3HK008H-01B	917167B	2
	10	H3HK010H-01B	917168B	2
	15	H3HK015H-01B	917169B	2
	15	H3HK015H-21B	917172B	None
036K	5	H3HK005H-01B	917166B	None
	8	H3HK008H-01B	917167B	2
	10	H3HK010H-01B	917168B	2
	15	H3HK015H-01B	917169B	2
	15	H3HK015H-21B	917172B	None
042K	5	H3HK005H-01B	917166B	None
	8	H3HK008H-01B	917167B	2
	10	H3HK010H-01B	917168B	2
	15	H3HK015H-01B	917169B	2
	15	H3HK015H-21B	917172B	None
	20	H3HK020H-01B	917170B	3
	20	H3HK020H-21B	917173B	1
048K	5	H3HK005H-01B	917166B	2
	8	H3HK008H-01B	917167B	2
	10	H3HK010H-01B	917168B	2
	15	H3HK015H-01B	917169B	2
	15	H3HK015H-21B	917172B	None
	20	H3HK020H-01B	917170B	3
	20	H3HK020H-21B	917173B	1

# HEAT PUMP COOLING EXPANDED RATINGS

## Q7RD-024K

O.D.T			65°F			75°F			85°F			95°F			105°F			115°F		
CFM	E.D.B.	E.W.B.	T.C.	S.C.	K.W.	T.C.	S.C.	K.W.	T.C.	S.C.	K.W.	T.C.	S.C.	K.W.	T.C.	S.C.	K.W.	T.C.	S.C.	K.W.
700	80	62	26.5	21.1	1.60	24.6	20.2	1.77	22.7	19.3	1.94	20.8	18.4	2.11	18.9	17.5	2.28	15.9	15.6	2.59
	80	67	26.9	16.0	1.60	25.7	15.6	1.77	24.4	15.1	1.94	23.2	14.7	2.11	21.9	14.2	2.28	18.5	13.1	2.59
	80	72	27.2	12.3	1.59	26.6	11.9	1.77	26.0	11.4	1.94	25.4	11.0	2.12	24.8	10.5	2.29	21.8	10.2	2.63
	75	63	24.9	15.7	1.61	23.7	15.3	1.78	22.4	14.8	1.94	21.2	14.4	2.11	19.9	13.9	2.27	16.4	12.2	2.56
800	80	62	25.6	20.2	1.62	24.2	20.0	1.78	22.6	19.5	1.96	21.5	20.6	2.17	19.4	19.0	2.37	17.5	17.1	2.61
	80	67	27.4	16.4	1.61	27.1	16.7	1.78	26.9	17.7	1.96	24.4	17.0	2.18	22.1	16.0	2.40	19.0	14.9	2.64
	80	72	27.7	12.7	1.61	28.2	12.8	1.77	27.8	12.5	1.94	27.0	12.5	2.16	26.0	11.2	2.39	22.4	11.1	2.65
	75	63	26.3	16.8	1.62	24.6	16.1	1.78	23.5	16.1	1.96	21.3	15.5	2.17	18.9	14.6	2.36	16.8	13.7	2.60
900	80	62	27.0	21.9	1.70	25.9	22.6	1.88	24.7	23.3	2.05	23.6	24.0	2.23	22.4	24.7	2.40	17.9	17.4	2.72
	80	67	27.6	16.8	1.70	26.8	16.9	1.87	25.9	17.0	2.04	25.1	17.1	2.21	24.2	17.2	2.38	19.5	16.1	2.72
	80	72	27.8	12.7	1.70	27.4	12.4	1.87	26.9	12.1	2.04	26.5	11.8	2.21	26.0	11.5	2.38	22.8	11.9	2.74
	75	63	26.7	17.3	1.69	25.3	17.1	1.87	23.9	16.8	2.05	22.5	16.6	2.23	21.1	16.3	2.41	17.0	15.1	2.68

## Q7RD-030K

O.D.T			65°F			75°F			85°F			95°F			105°F			115°F		
CFM	E.D.B.	E.W.B.	T.C.	S.C.	K.W.	T.C.	S.C.	K.W.	T.C.	S.C.	K.W.	T.C.	S.C.	K.W.	T.C.	S.C.	K.W.	T.C.	S.C.	K.W.
950	80	62	31.5	26.9	1.86	29.0	25.7	2.07	26.5	24.6	2.29	24.0	23.4	2.50	21.5	22.2	2.71	18.2	17.8	2.99
	80	67	32.5	20.2	1.86	30.8	19.9	2.08	29.1	19.5	2.39	27.4	19.2	2.53	25.7	18.9	2.75	20.0	15.3	3.03
	80	72	33.1	15.1	1.87	31.7	14.6	2.09	30.3	14.1	2.32	28.9	13.6	2.54	27.5	13.1	2.76	23.3	11.6	3.07
	75	63	30.3	19.7	1.86	28.2	18.8	2.07	26.1	17.9	2.28	24.0	17.0	2.49	21.9	16.1	2.70	18.0	14.2	2.99
1050	80	62	32.4	28.5	1.97	29.9	27.4	2.16	27.5	26.4	2.34	25.0	25.3	2.53	22.5	24.2	2.72	19.1	18.6	3.03
	80	67	33.0	20.6	1.89	31.4	20.6	2.11	29.7	20.6	2.33	28.7	20.6	2.55	26.5	20.6	2.77	20.4	16.3	3.06
	80	72	33.6	15.3	1.89	32.2	14.9	2.11	30.9	14.6	2.33	29.5	14.2	2.55	28.1	13.8	2.77	23.7	12.2	3.09
	75	63	32.2	21.1	1.79	29.7	20.1	2.03	27.3	19.1	2.27	24.8	18.1	2.51	22.3	17.1	2.75	18.2	15.3	3.01
1150	80	62	33.0	29.5	1.87	30.7	28.2	2.09	28.3	27.0	2.32	26.0	25.7	2.54	23.7	24.4	2.76	19.5	19.0	3.04
	80	67	33.3	20.9	1.90	31.7	21.1	2.12	30.1	21.2	2.34	28.5	21.4	2.56	26.9	21.6	2.78	20.8	16.8	3.07
	80	72	34.3	16.2	1.90	32.9	15.6	2.12	34.4	15.0	2.35	30.0	14.4	2.57	28.6	13.8	2.79	24.0	12.4	3.10
	75	63	32.7	21.9	1.80	30.2	23.0	2.04	27.7	24.1	2.28	25.2	18.6	2.52	22.7	26.3	2.76	18.5	15.6	3.02

## Q7RD-036K

O.D.T			65°F			75°F			85°F			95°F			105°F			115°F		
CFM	E.D.B.	E.W.B.	T.C.	S.C.	K.W.	T.C.	S.C.	K.W.	T.C.	S.C.	K.W.	T.C.	S.C.	K.W.	T.C.	S.C.	K.W.	T.C.	S.C.	K.W.
1175	80	62	41.0	35.2	2.23	38.4	34.7	2.56	35.2	32.8	2.83	31.2	29.7	3.08	28.6	27.3	3.50	24.7	24.6	3.74
	80	67	45.2	29.5	2.22	42.1	28.8	2.57	38.4	27.1	3.74	34.5	24.5	3.08	30.6	23.4	3.53	26.7	20.9	3.78
	80	72	48.9	23.2	2.24	45.8	21.9	2.59	42.2	20.6	3.81	38.3	18.8	3.15	34.2	17.4	3.60	29.7	15.1	3.87
	75	63	41.4	28.2	2.23	38.6	27.4	2.55	35.2	25.7	3.63	31.4	23.0	3.04	27.4	22.1	3.48	23.7	19.7	3.72
1275	80	62	41.6	36.5	2.29	38.9	35.3	2.66	35.6	33.4	3.76	32.0	30.9	3.10	29.1	27.5	3.62	25.4	24.9	3.80
	80	67	45.8	30.5	2.27	42.5	29.6	2.67	38.8	27.8	3.85	34.7	25.4	3.12	30.7	24.3	3.62	26.9	21.6	3.84
	80	72	49.4	23.3	2.29	46.1	22.3	2.69	42.7	21.0	3.92	38.6	19.2	3.20	33.7	17.5	3.70	30.4	16.0	3.93
	75	63	42.0	29.1	2.28	38.8	28.2	2.65	35.3	26.4	3.75	31.8	23.9	3.09	27.3	22.5	3.59	23.7	20.3	3.78
1375	80	62	42.1	37.3	2.39	37.7	33.4	2.51	34.5	31.6	3.65	32.4	31.5	3.21	28.0	26.7	3.44	25.9	25.1	3.92
	80	67	46.2	31.3	2.37	41.6	27.8	2.51	38.1	26.2	3.65	35.0	26.0	3.26	30.4	22.6	3.47	26.9	22.5	3.93
	80	72	49.6	23.7	2.38	45.4	21.7	2.55	41.8	20.3	3.76	39.2	19.7	3.30	33.6	16.8	3.55	29.8	15.9	4.03
	75	63	42.2	30.1	2.38	38.1	26.5	2.50	34.8	24.8	3.57	31.9	24.6	3.20	27.2	21.4	3.42	23.6	20.6	3.90



# HEAT PUMP COOLING EXPANDED RATINGS (CONTINUED)

## Q7RD-042K

O.D.T			65°F			75°F			85°F			95°F			105°F			115°F		
CFM	E.D.B.	E.W.B.	T.C.	S.C.	K.W.	T.C.	S.C.	K.W.	T.C.	S.C.	K.W.	T.C.	S.C.	K.W.	T.C.	S.C.	K.W.	T.C.	S.C.	K.W.
1400	80	62	45.9	39.1	2.65	42.5	37.6	2.97	39.1	36.0	3.28	35.7	34.5	3.60	32.3	33.0	3.92	29.7	28.9	4.48
	80	67	49.5	32.2	2.65	46.3	31.0	2.98	43.2	29.8	3.30	40.0	28.6	3.63	36.8	27.4	3.96	31.5	24.7	4.57
	80	72	52.6	24.8	2.68	49.8	23.7	3.01	47.1	22.7	3.34	44.3	21.6	3.67	41.5	20.5	4.00	36.6	18.5	4.57
	75	63	46.3	31.9	2.62	43.0	30.2	2.94	39.6	28.6	3.27	36.3	26.9	3.59	33.0	25.2	3.91	28.2	23.4	4.45
1500	80	62	46.4	40.4	2.67	43.1	38.8	2.99	39.8	37.1	3.30	36.5	35.5	3.62	33.2	33.9	3.94	30.3	29.4	4.52
	80	67	50.0	32.8	2.70	46.8	31.6	3.02	43.6	30.5	3.34	40.5	29.3	3.64	37.2	28.1	3.98	31.9	25.9	4.56
	80	72	53.0	25.2	2.70	50.3	24.1	3.04	47.6	22.9	3.38	44.9	21.8	3.72	42.2	20.7	4.06	38.9	19.1	4.59
	75	63	46.9	32.5	2.67	43.5	31.0	2.99	40.0	29.4	3.30	36.6	27.9	3.62	33.2	26.4	3.94	28.4	24.4	4.47
1600	80	62	46.6	41.2	2.76	43.4	39.5	3.08	40.3	37.9	3.39	37.1	36.2	3.71	33.9	34.5	4.03	30.5	29.6	4.62
	80	67	50.2	33.1	2.78	47.0	32.0	3.10	43.8	31.0	3.43	40.6	29.9	3.75	37.4	28.8	4.07	31.4	26.3	4.70
	80	72	53.0	25.2	2.80	50.3	24.2	3.13	47.7	23.2	3.46	45.0	22.2	3.79	42.3	21.2	4.12	36.9	19.2	4.64
	75	63	47.1	32.7	2.76	43.6	31.2	3.08	40.0	29.7	3.39	36.6	28.2	3.71	33.1	26.7	4.03	28.1	24.4	4.59

## Q7RD-048K

O.D.T			65°F			75°F			85°F			95°F			105°F			115°F		
CFM	E.D.B.	E.W.B.	T.C.	S.C.	K.W.	T.C.	S.C.	K.W.	T.C.	S.C.	K.W.	T.C.	S.C.	K.W.	T.C.	S.C.	K.W.	T.C.	S.C.	K.W.
1385	80	62	50.9	42.1	2.88	48.0	41.3	3.19	44.9	40.0	3.53	41.5	38.4	3.93	37.5	36.3	4.36	33.9	33.7	4.84
	80	67	53.7	34.0	2.90	51.7	33.6	3.22	49.4	32.7	3.58	45.2	30.7	3.97	41.3	29.2	4.42	37.2	27.2	4.90
	80	72	56.0	26.6	2.92	54.5	26.1	3.24	52.3	25.1	3.61	49.4	24.0	4.03	45.8	22.5	4.49	41.5	21.1	5.01
	75	63	50.6	34.1	2.88	48.5	33.0	3.19	45.5	31.6	3.54	42.1	30.1	3.93	37.8	28.4	4.34	33.9	26.3	4.81
1525	80	62	51.4	43.4	2.97	49.0	43.0	3.29	46.5	42.5	3.63	42.0	40.3	4.03	38.6	38.1	4.47	35.2	34.9	4.97
	80	67	54.4	34.6	3.00	53.4	30.3	3.32	51.2	29.4	3.69	46.5	28.1	4.11	43.4	26.7	4.57	39.3	24.9	5.08
	80	72	56.4	26.8	3.02	54.9	26.3	3.27	52.4	25.1	3.65	49.5	24.2	4.06	45.8	22.6	4.53	41.7	21.4	5.05
	75	63	51.2	34.7	2.98	48.7	33.4	3.23	45.9	31.9	3.58	42.4	30.4	3.97	37.7	28.7	4.39	34.1	26.8	4.87
1600	80	62	51.1	43.6	3.04	48.8	43.3	3.36	46.8	43.2	3.70	41.4	40.6	4.11	38.7	38.6	4.54	35.4	35.1	5.04
	80	67	54.9	35.1	3.06	52.8	34.9	3.37	50.0	34.2	3.75	45.7	32.3	4.14	42.2	31.4	4.62	37.3	29.4	5.10
	80	72	56.5	26.9	3.08	54.8	26.5	3.39	52.5	25.7	3.76	49.1	24.7	4.19	45.5	23.1	4.66	41.7	21.5	5.18
	75	63	51.3	34.9	3.03	49.0	34.1	3.34	46.1	33.0	3.70	42.4	31.3	4.08	38.2	29.7	4.51	34.7	27.4	4.99

# HEAT PUMP HEATING EXPANDED RATINGS

## Q7RD-024K

		OUTDOOR TEMPERATURE °F																				
CFM	Indoor Temp °F	10°F			17°F			30.0			40.0			47.0			60.0			70.0		
		MBH	COP	KW	MBH	COP	KW	MBH	COP	KW	MBH	COP	KW	MBH	COP	KW	MBH	COP	KW		COP	KW
700	80	8.1	1.12	1.95	10.3	1.43	2.01	14.5	2.00	2.12	17.7	2.44	2.21	19.9	2.75	2.26	26.2	2.89	2.66	27.3	3.76	2.46
	70	9.5	1.52	1.83	11.7	1.81	1.89	15.9	2.34	1.99	19.1	2.75	2.07	21.3	3.04	2.13	27.9	3.29	2.49	28.7	3.98	2.31
	60	10.7	1.84	1.71	13.0	2.15	1.77	17.3	2.72	1.87	20.6	3.16	1.95	22.9	3.47	2.01	29.4	3.70	2.33	30.5	4.48	2.19
800	80	8.2	1.23	1.94	11.8	1.80	1.99	15.0	2.11	2.09	18.4	2.55	2.17	20.8	2.86	2.22	27.1	3.10	2.56	28.6	3.87	2.39
	70	9.6	1.56	1.81	13.4	2.20	1.79	16.5	2.46	1.96	20.0	2.91	2.04	24.0	3.43	2.05	29.1	3.54	2.41	30.3	4.26	2.26
	60	11.0	1.91	1.69	15.1	2.46	1.74	18.0	2.87	1.84	21.5	3.35	1.92	25.5	3.69	2.02	30.7	4.00	2.25	32.0	4.79	2.14
900	80	8.4	1.23	2.01	10.9	1.54	2.06	15.4	2.11	2.14	18.9	2.55	2.21	21.4	2.86	2.25	28.5	3.20	2.61	29.4	3.87	2.40
	70	9.9	1.55	1.87	12.3	1.86	1.92	16.8	2.44	2.02	20.3	2.89	2.10	22.7	3.20	2.15	30.1	3.63	2.44	30.6	4.22	2.32
	60	11.1	1.87	1.75	13.7	2.20	1.83	18.4	2.84	1.90	22.1	3.33	1.98	24.6	3.66	2.03	31.7	4.06	2.29	33.0	4.78	2.20

## Q7RD-030K

		OUTDOOR TEMPERATURE °F																				
CFM	Indoor Temp °F	10°F			17°F			30°F			40°F			47.0			60.0			70.0		
		MBH	COP	KW	MBH	COP	KW	MBH	COP	KW	MBH	COP	KW	MBH	COP	Watts	MBH	COP	KW	MBH	COP	KW
950	80	9.5	1.26	2.20	12.4	1.59	2.27	17.9	2.19	2.40	22.1	2.66	2.50	25.0	2.98	2.57	31.0	3.14	2.90	34.7	4.05	2.80
	70	10.9	1.58	2.03	13.9	1.93	2.10	19.6	2.59	2.24	24.0	3.10	2.35	27.0	3.45	2.42	31.6	3.50	2.68	37.0	4.61	2.66
	60	12.3	1.88	1.91	15.2	2.24	1.97	20.7	2.92	2.08	24.9	3.44	2.17	27.8	3.80	2.25	32.3	3.84	2.47	37.5	5.00	2.42
1050	80	9.7	1.29	2.20	12.7	1.63	2.26	18.3	2.25	2.38	22.6	2.73	2.47	25.6	3.07	2.53	31.5	3.24	2.85	35.5	4.17	2.74
	70	11.2	1.60	2.05	15.6	2.20	2.08	19.8	2.62	2.22	24.1	3.13	2.31	28.6	3.20	2.62	32.1	3.58	2.63	37.0	4.66	2.56
	60	12.5	1.90	1.92	16.5	2.29	2.11	21.2	3.01	2.07	25.6	3.57	2.15	30.1	3.55	2.50	33.0	3.96	2.44	38.6	5.23	2.37
1150	80	9.9	1.31	2.21	12.9	1.65	2.27	18.4	2.27	2.37	22.7	2.75	2.45	25.6	3.09	2.57	31.7	3.29	2.82	35.4	4.19	2.69
	70	11.3	1.60	2.06	14.3	1.96	2.12	19.8	2.63	2.22	24.1	3.15	2.30	27.0	3.51	2.36	32.7	3.67	2.61	36.8	4.69	2.54
	60	12.5	1.92	1.91	15.6	2.31	1.97	21.3	3.02	2.07	25.7	3.57	2.15	28.8	3.96	2.21	33.8	4.07	2.44	38.9	5.22	2.39

## Q7RD-036K

		OUTDOOR TEMPERATURE °F																				
CFM	Indoor Temp °F	10°F			17°F			30.0			40.0			47.0			60.0			70.0		
		MBH	COP	KW	MBH	COP	KW	MBH	COP	KW	MBH	COP	KW	MBH	COP	KW	MBH	COP	KW	MBH	COP	KW
1175	80	11.6	1.38	2.47	14.5	1.64	2.56	19.9	2.20	2.66	24.3	2.63	2.77	30.5	2.93	2.98	36.7	3.40	3.16	36.5	3.84	3.04
	70	13.3	1.70	2.29	16.4	2.03	2.38	22.0	2.62	2.46	26.6	3.09	2.56	32.5	3.36	2.76	38.8	3.91	2.91	39.4	4.46	2.80
	60	14.8	2.05	2.12	18.2	2.41	2.20	24.4	3.13	2.28	29.1	3.68	2.36	34.3	3.85	2.55	40.7	4.44	2.68	43.6	5.29	2.60
1275	80	11.4	1.34	2.50	14.7	1.62	2.64	20.0	2.20	2.68	24.7	2.60	2.83	30.9	2.88	3.05	37.2	3.49	3.15	37.2	3.92	3.04
	70	13.3	1.68	2.32	18.4	2.20	2.45	22.2	2.62	2.48	27.1	3.07	2.62	34.6	3.55	2.86	39.3	3.95	2.91	40.0	4.50	2.80
	60	14.9	2.03	2.15	19.0	2.35	2.37	24.3	3.12	2.29	29.5	3.60	2.43	36.1	3.82	2.93	41.2	4.50	2.69	43.1	5.30	2.57
1375	80	11.6	1.32	2.59	14.5	1.67	2.53	20.3	2.17	2.75	24.1	2.61	2.75	30.2	2.87	2.98	37.6	3.44	3.21	37.7	3.87	3.07
	70	13.4	1.63	2.40	16.3	2.02	2.35	22.5	2.59	2.55	26.3	3.08	2.54	32.1	3.33	2.75	40.0	3.96	2.96	40.7	4.51	2.85
	60	15.0	1.97	2.23	18.2	2.43	2.18	24.7	3.06	2.36	29.1	3.67	2.36	33.9	3.82	2.54	41.7	4.47	2.74	44.1	5.24	2.62

# HEAT PUMP HEATING EXPANDED RATINGS (CONTINUED)

## Q7RD-042K

		OUTDOOR TEMPERATURE °F																				
CFM	Indoor Temp °F	10°F			17°F			30°F			40°F			47°F			60°F			70°F		
		MBH	COP	KW	MBH	COP	KW	MBH	COP	KW	MBH	COP	KW	MBH	COP	KW	MBH	COP	KW	MBH	COP	KW
1400	80	15.2	1.54	2.90	18.9	1.86	2.98	25.9	2.44	3.12	31.3	2.89	3.56	35.0	3.21	3.31	44.8	3.40	3.87	47.3	4.24	3.56
	70	16.7	1.86	2.63	20.6	2.19	2.72	27.8	2.81	2.90	33.4	3.29	3.44	37.2	3.62	3.13	47.5	3.88	3.59	50.0	4.71	3.44
	60	18.5	2.27	2.40	22.4	2.62	2.49	29.7	3.27	2.67	35.3	3.77	3.21	39.2	4.12	2.90	49.7	4.30	3.39	52.1	5.27	3.21
1500	80	15.2	1.50	2.98	19.0	1.83	3.03	26.0	2.44	3.13	31.4	2.91	3.43	35.2	3.24	3.26	45.5	3.47	3.85	47.6	4.32	3.43
	70	17.0	1.85	2.69	22.0	2.41	2.77	28.4	2.87	2.90	34.1	3.38	3.32	40.5	3.74	3.17	47.9	3.94	3.57	51.2	4.91	3.32
	60	18.7	2.22	2.47	22.9	2.59	2.59	29.8	3.29	2.65	35.4	3.83	3.01	41.5	4.20	2.89	50.3	4.36	3.38	52.0	5.43	3.01
1600	80	15.3	1.55	2.89	19.1	1.84	3.00	26.1	2.39	3.20	31.5	2.81	3.82	35.3	3.10	3.46	45.9	3.54	3.90	47.7	4.07	3.82
	70	17.0	1.88	2.65	21.0	2.21	2.76	28.3	2.82	2.95	34.0	3.29	3.55	37.9	3.62	3.21	48.4	3.93	3.61	50.9	4.70	3.55
	60	18.6	2.28	2.40	22.6	2.62	2.51	30.1	3.24	2.72	35.9	3.72	3.36	39.9	4.06	2.99	50.9	4.32	3.45	53.1	5.16	3.36

## Q7RD-048K

		OUTDOOR TEMPERATURE °F																				
CFM	Indoor Temp °F	10°F			17°F			30.0			40.0			47.0			60.0			70.0		
		MBH	COP	KW	MBH	COP	KW	MBH	COP	KW	MBH	COP	KW	MBH	COP	KW	MBH	COP	KW	MBH	COP	KW
1385	80	19.8	1.77	3.28	23.7	2.06	3.36	31.0	2.60	3.50	36.6	3.02	3.61	40.5	3.31	3.69	51.2	3.60	4.16	53.4	4.26	3.94
	70	21.8	2.14	2.99	25.7	2.46	3.06	33.0	3.05	3.18	38.6	3.51	3.28	42.5	3.82	3.34	53.5	4.15	3.78	55.4	4.87	3.56
	60	23.7	2.56	2.72	27.6	2.90	2.78	34.9	3.54	2.89	40.5	4.03	2.98	44.4	4.37	3.03	55.4	4.74	3.43	57.3	5.50	3.23
1525	80	20.0	1.75	3.36	21.5	2.04	3.09	31.2	2.57	3.56	36.8	2.98	3.66	40.7	3.27	3.73	52.1	3.70	4.13	53.6	4.21	3.96
	70	22.2	2.13	3.06	23.8	2.35	3.13	33.3	3.00	3.26	38.9	3.44	3.36	44.5	3.63	3.59	54.2	4.20	3.78	55.5	4.74	3.66
	60	24.0	2.47	2.85	27.9	2.83	2.89	35.2	3.49	2.96	40.8	4.00	3.02	46.6	4.36	3.14	55.8	4.75	3.44	57.6	5.53	3.18
1600	80	20.3	1.72	3.47	24.3	2.00	3.54	31.6	2.52	3.66	37.3	2.92	3.76	41.2	3.20	3.82	52.7	3.66	4.22	54.2	4.12	4.04
	70	22.3	2.06	3.18	26.5	2.38	3.24	34.2	2.98	3.36	40.2	3.44	3.45	44.3	3.76	3.51	54.6	4.15	3.86	58.0	4.82	3.72
	60	24.2	2.44	2.92	28.2	2.78	2.97	35.6	3.40	3.07	41.3	3.88	3.15	45.3	4.22	3.20	56.2	4.68	3.52	58.4	5.32	3.37



### GENERAL TERMS OF LIMITED WARRANTY

NORDYNE will furnish a replacement for any part of this product which fails in normal use and service within the first ten years of installation, in accordance with the terms of the warranty.

For complete details of the Limited Warranty, including applicable terms and conditions, see your local installer or contact the NORDYNE warranty department for a copy.

# NORDYNE

COMPLETE COMFORT. GENUINE VALUE. 8000 Phoenix Parkway | O'Fallon, MO 63368-3827

Specifications and illustrations subject to change without notice and without incurring obligations. Printed in U.S.A (04/2012)

923D-0412